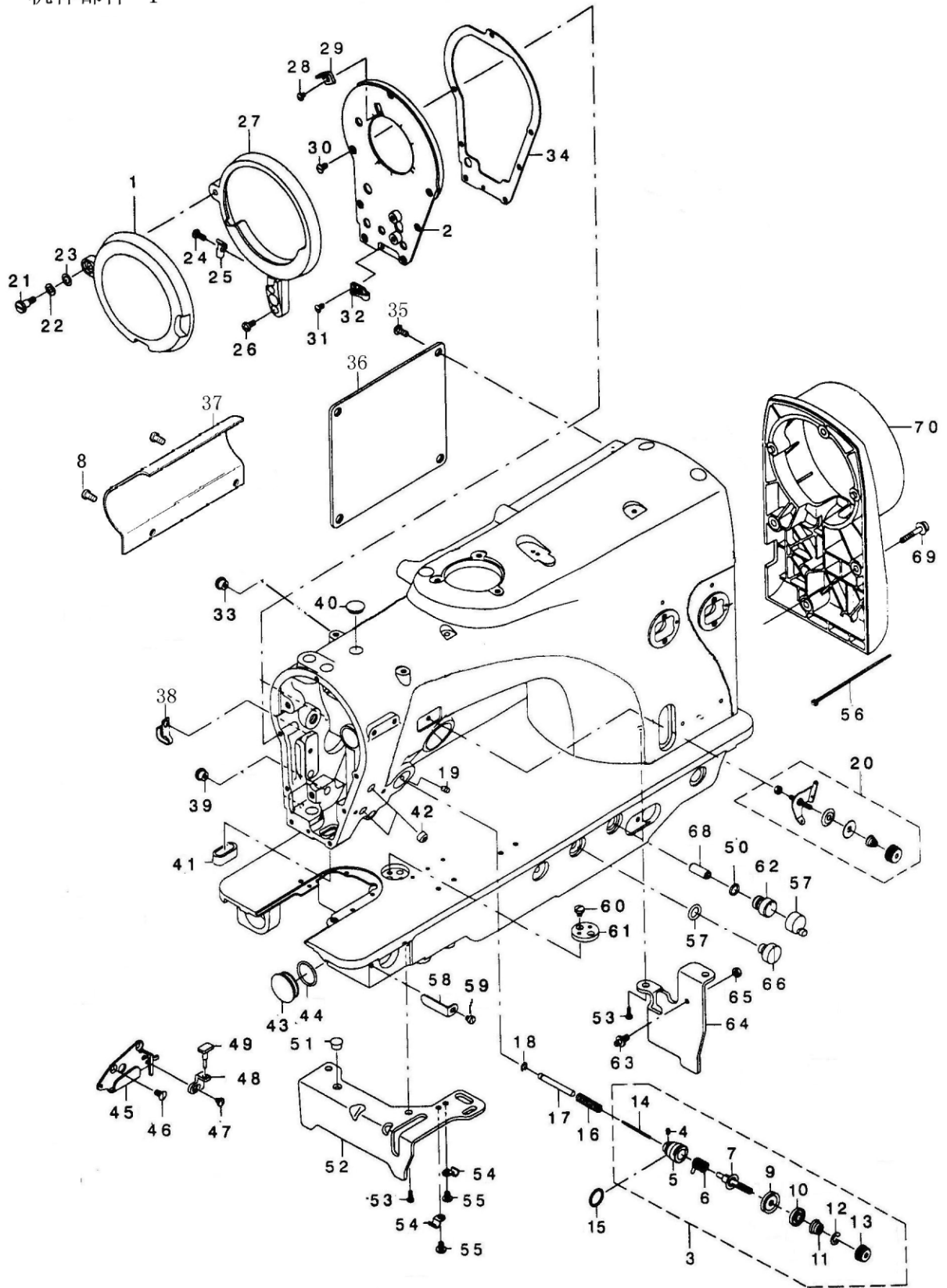


CONTENTS

目录

1. FRAME & MISCELLANEOUS COVER COMPONENTS I	01
机体部件 I	
2. FRAME & MISCELLANEOUS COVER COMPONENTS II	04
机体部件 II	
3. MAIN SHAFT & THREAD TAKE-UP & NEEDLE BAR COMPONENTS.....	07
挑线刺布部件	
4. NEEDLE VIBRATOR COMPONENTS.....	10
摆针部件	
5. HAND LIFTER COMPONENTS.....	12
抬压脚部件	
6. FEED MECHANISM COMPONENTS I	14
送料部件 I	
7. FEED MECHANISM COMPONENTS II	17
送料部件 II	
8. HOOK DRIVING SHAFT COMPONENTS I	19
下轴部件 I	
9. HOOK DRIVING SHAFT COMPONENTS II	21
下轴部件 II	
10. THREAD TRIMMER MECHANISM COMPONENTS.....	23
切刀部件.	
11. AUTOMATIC REVERSE FEED MECHANISM COMPONENTS.....	26
自动倒送料部件	
12. THREAD FEEDER COMPONENTS.....	27
挑线部件	
13. THREAD RELEASE SOLENOID COMPONENTS.....	28
松线及倒缝按钮部件	
14. LUBRICATION COMPONENTS.....	29
油路部件	
15. WIPER MECHANISM COMPONENTS.....	32
拨线部件	
16. UNDER COVER COMPONENTS.....	34
膝提部件	
17. THREAD STAND COMPONENTS.....	36
二线架部件	
18. ACCESSORIE PART COMPONENTS.....	37
附件	

1. FRAME&MISCELLANEOUS COVER COMPONENTS I
 机体部件 I

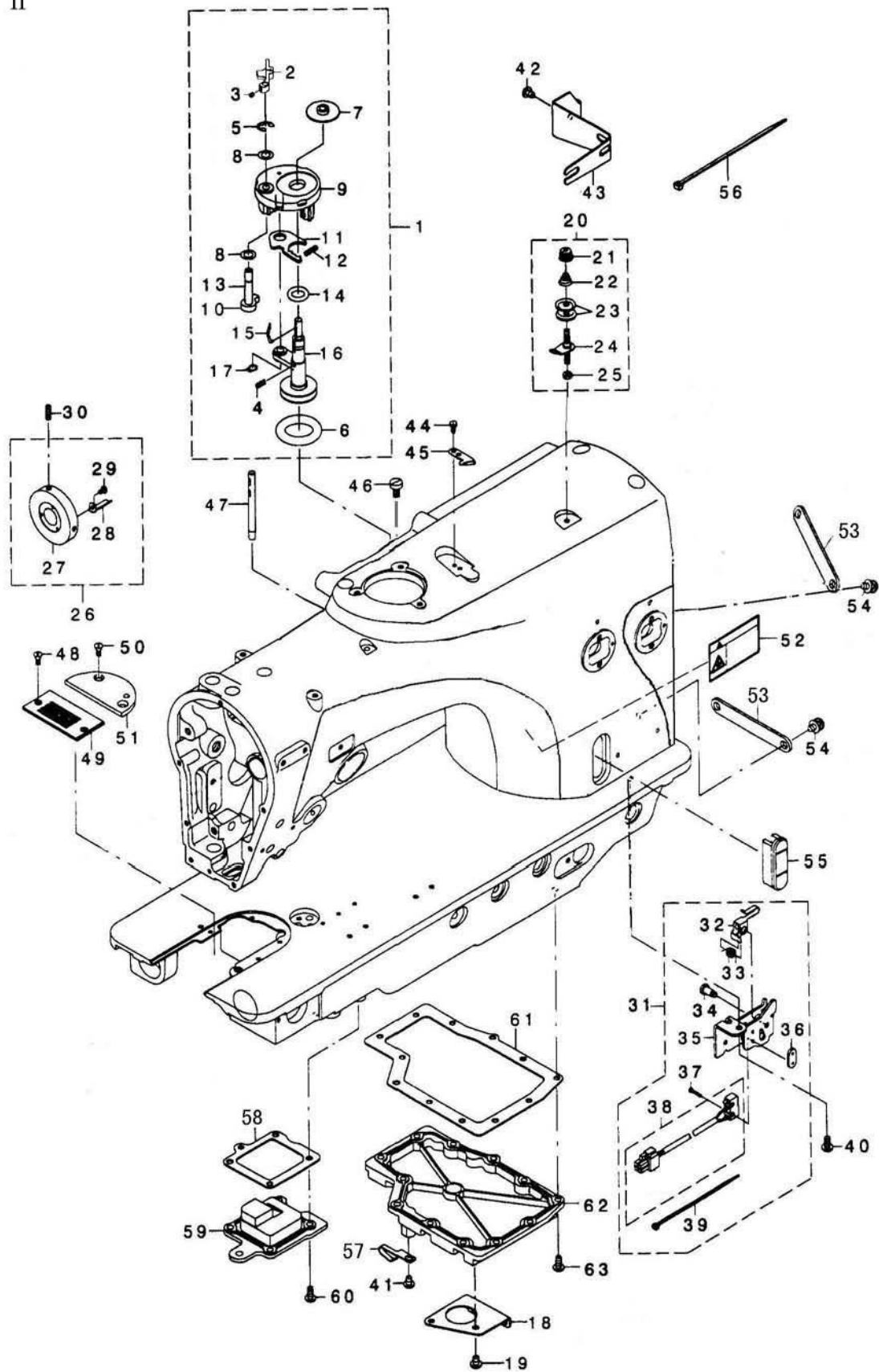


1. 机体部件 I				
FRAME&MISCELLANEOUS COVER COMPONENTS I				
序号 NO.	件号 Part No.	描述	Description	数量
1	10000190	挑线盘防护罩组件	BALANCE COVER	1
2	10000122	面板组件	FACE PLATE COMPL.	1
3	10000657	夹线器组件	THREAD TENSION ASM.	1
4	10004200	夹线螺钉紧固螺钉	SCREW	1
5	10000120	夹线器座组件	THREAD TENSION ROD BASE ASM.	1
6	10000115	挑线簧	TAKE-UP SPRING	1
7	10000123	夹线螺钉组件	THREAD TENSION ROD COMPL.	1
8	10001281	电线压盖螺钉	SCREW	2
9	10000116	夹线板	THREAD TENSION DISK COMPL.	1
10	10000116	松线板	TENSION DISC HOLDER	1
11	10000659	夹线簧	TENSION SPRING	1
12	10004199	夹线螺母制动垫圈	ROTATION STOPPER	1
13	10004178	夹线螺母	THREAD TENSION NUT	1
14	10000660	松线钉	THREAD RELEASE PIN	1
15	10000088	夹线器O形圈	RUBBER RING	1
16	10000087	松线杆复位弹簧	THREAD RELEASE PIN SPRING	1
17	10000105	松线杆	THREAD RELEASE AUXILIARY PIN	1
18	10009653	松线杆挡圈	E-RING	1
19	10002434	夹线器紧固螺钉	SCREW	1
20	20003377	中过线器组件	PRE-TENSION CONTROLLER ASM.	1
21	10000107	护盖罩窗螺钉	HINGE SCREW	1
22	10000106	护盖罩窗弹簧片	WAVED WASHER	1
23	10000109	护盖罩窗垫片	WASHER	1
24	10000098	护盖弹簧片螺钉	SCREW	1
25	10000083	护盖弹簧片	SPRING	1
26	10000099	护盖螺钉	SCREW	1
27	20003377	挑线盘防护盖	BALANCE COVER BASE	1
28	10009743	面板刀片螺钉	SCREW	1
29	10002434	面板刀片	TAKE-UP THREAD CUTTER	1
30	10000101	面板螺钉	SCREW	7
31	10009890	导线架螺钉	SCREW	1
32	10000102	导线架	SPRING GUARD	1
33	10000091	左侧小油塞	RUBBER PLUG	1
34	10000103	面板垫	FACE PLATE PACKING	1
35	10001281	后盖板螺钉	SCREW	6
36	20003368	后盖板	SIDE PLATE	1
37	20003367	电线压盖		1
38	10000092	小线夹	UPPER SHAFT FRONT METAL OIL WI	1
39	10000090	摆动架销油塞	RUBBER PLUG	1
40	10011099	顶油塞	RUBBER PLUG	3
41	10000089	摆动架槽框	ARM OIL SHIELD	1
42	10000086	油塞	DRIVING STOPPER RUBBER	2
43	10000095	旋梭箱铜塞	GEAR BOX CAP	1
44	10000189	铜塞O形圈	RUBBER RING	1
45	10000084	过线板	BALANCE THREAD GUIDE	1
46	10000101	过线板螺钉	SCREW	2

47	10021329	挑线簧定位板螺钉	SCREW	1
48	10000104	挑线簧定位板	SPRING GUARD	1
49	10000645	挑线簧定位橡胶	RUBBER STOPPER	1
50	10012139	透气阀O形圈	RUBBER RING	1
51	10000076	前支脚油塞	RUBBER PLUG	1
52	10000078	前支脚	BED SUPPORT PLATE A	1
53	10000077	前支脚螺钉	SCREW	2
54	10000082	前支脚油线夹	OIL RETURN TUBE HOLDETR	1
55	10000098	前支脚油线夹螺钉	SCREW	1
56		电线自锁夹	CABLE BAND	1
57	10001281	橡胶盖	ARD-DISCHARGING CAP	1
58	10000096	铜塞固定板	GEAR BOX CAP PRESSER	1
59	10000097	铜塞固定板螺钉	SCREW	1
60	10004374	限位挡板螺钉	SCREW	2
61	10004373	限位挡板	RULER STOP SEAT	1
62	10026384	透气阀	AIR-DISCHARGING	1
63	10000110	复位螺钉	SCREW	1
64	10000081	后支脚	BED SUPPORT PLATE B	1
65	10000100	复位螺母	NUT	1
66	10000075	齿轮箱密封螺钉	SCREW	1
67	10000079	齿轮箱密封O形圈	RUBBER RING	1
68	10021559	透气阀弹簧销	CABLE BAND	1
69	10000157	后罩螺钉	SCREW	5
70	20003963	后罩		1

2. FRAME&MISCELLANEOUS COVER COMPONENTS II

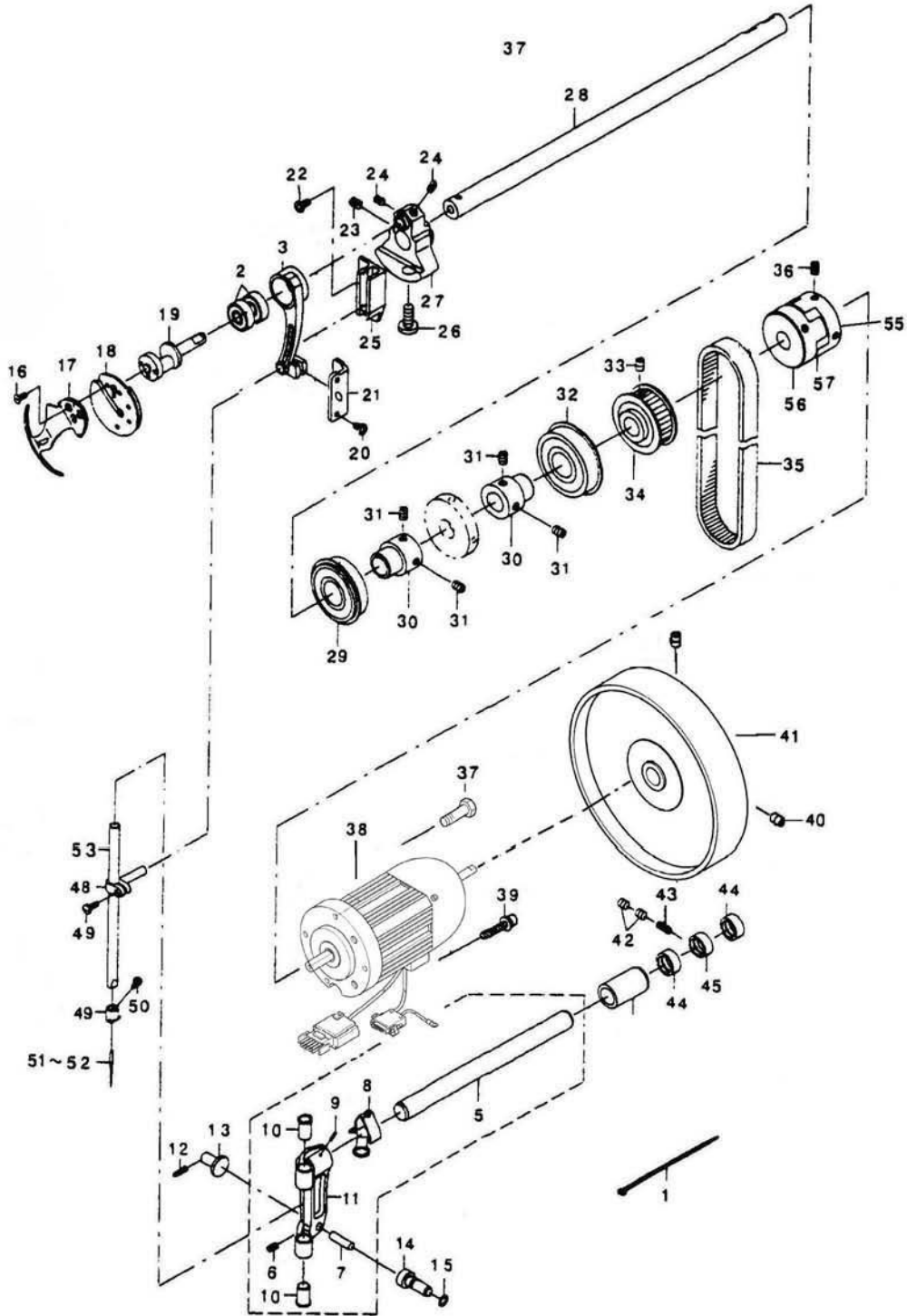
机体部件 II



2. 机体部件 II				
FRAME&MISCELLANEOUS COVER COMPONENTS II				
序号 NO.	图号 Part No.	描述	Description	数量
1	10000129	绕线器	BOBBIN DEVICE ASM.	1
2	10000735	卷绕手柄	BOBBIN LEVER	1
3	10000735	螺钉	SCREW	1
4	10004507	复位短弹簧	PRESSUR FOOT SPRING	1
5	10009669	绕线器绕线凸轮轴挡圈	E-RING	1
6	10008773	橡胶轮	RING	1
7	10004498	卷绕轴垫	CUSHION	1
8	10004486	薄垫片	WASHER	1
9	10011096	梭心卷绕体组件	BOBBIN FITTING BASIS COMPL.	1
10	10006151	绕线定位块	BOBBIN CAM SHAFT COMPL.	11
11	10004497	控制板	ASJUSTING PLATE	1
12	10004501	复位长弹簧	SPRING	1
13	10006152	绕线凸轮轴	BOBBIN CAM SHAFT COMPL.	1
14	10004485	卷绕轴O形圈	RUBBER RING	1
15	10009937	锁芯弹簧	LATCH SPRING	1
16	10000151	梭芯卷绕轴	BOBBIN WINDER SHAFT COMPL.	1
17	10006142	绕线器摆动板轴挡圈	RETAINING RING	1
18	10000169	油箱大油线架	PIPE GUIDE PLATE	1
19	10000166	油箱大油线架螺钉	SCREW	1
20	10013064	绕线夹线器	BOBBIN THREAD TENSION ASM.	1
21	10004503	塑料夹线螺母	THREAD TENSION NUT	1
22	10004391	夹线簧	THREAD TENSION SPRING	1
23	10004393	夹线板	BOBBIN WINDER TENSION DISC	2
24	10004504	中过线板组件	BOBBIN THREAD TENSION ROD ASM.	1
25	10004507	夹线螺母	NUT	1
26	20000069	绕线器主动轮组件	BOBBIN DRIVING WHEEL ASM.	1
27	10000172	绕线器主动轮	BOBBIN DRIVING WHEEL	1
28	10000153	主动轮支脚	BOBBIN DRIVING WHEEL BLADE	3
29	10000173	支脚螺钉	SCREW	3
30	10011223	绕线轮紧固螺钉	SCREW	2
31	10021598	安全开关组件	SAFETY SWITCH ASM.	1
32	10000124	开关驱动杆	SAFETY SWITCH ARM	1
33	10005855	开关弹簧	SAFETY SWITCH SPRING	1
34	10000124	开关驱动杆	SAFETY SWITCH ARM SHAFT	1
35	10000147	开关架	SAFETY SWITCH BASE	1
36	10005877	螺母	SAFETY SWITCH STOPPER PLATE	1
37	10003045	夹紧板螺钉	SCREW	2
38	10000525	开关组件	SAFETY SWITCH CORD ASM.	1
39		电线自锁夹	CABLE BAND	1
40	10000148	安全开关螺钉	SCREW	2
41	10000098	油箱小油线架螺钉	SCREW	1
42	10000148	油线架螺钉	SCREW	1
43	10000146	油线架	HEAD LUBRICATION PIPE STOPPER	1
44	10000164	切刀螺钉	SCREW	2
45	10011149	绕线切刀	THREAD CUTTER	1
46	10000149	绕线器螺钉	SCREW	3

47	10000167	两眼过线柱	SAFETY SWITCH ARM	1
48	10009890	针板螺钉	SCREW	2
49	10000166	针板	NEEDLE PLATE	1
50	10009890	针板内盖板螺钉	SCREW	2
51	10000165	针板内盖板	BED PLATE	1
52	10008936	安全提示牌	SAFETY LABEL. (SMALL)	1
53	10000150	电线压板	CONNECTING ROD	2
54	10000152	压板滚压螺钉	SCREW	4
55	10008772	油标窗	OIL SIGHT WINDOW	1
56		电线自锁夹	CABLE BAND 150	1
57	10000082	油箱小油线架	LUBRICATING OIL WICK STOPPER	1
58	10000168	旋梭齿轮箱盖垫	GEAR BOX (SMALL) PACKING	1
59	10000125	旋梭齿轮箱盖	GEAR BOX (SMALL) COVER	1
60	10000098	旋梭齿轮箱盖螺钉	SCREW	4
61	10000127	油箱盖垫	GEAR BOX (LARGE) PACKING	1
62	10000126	油箱盖	GEAR BOX (LARGE) COVER	1
63	10001281	油箱盖螺钉	SCREW	12

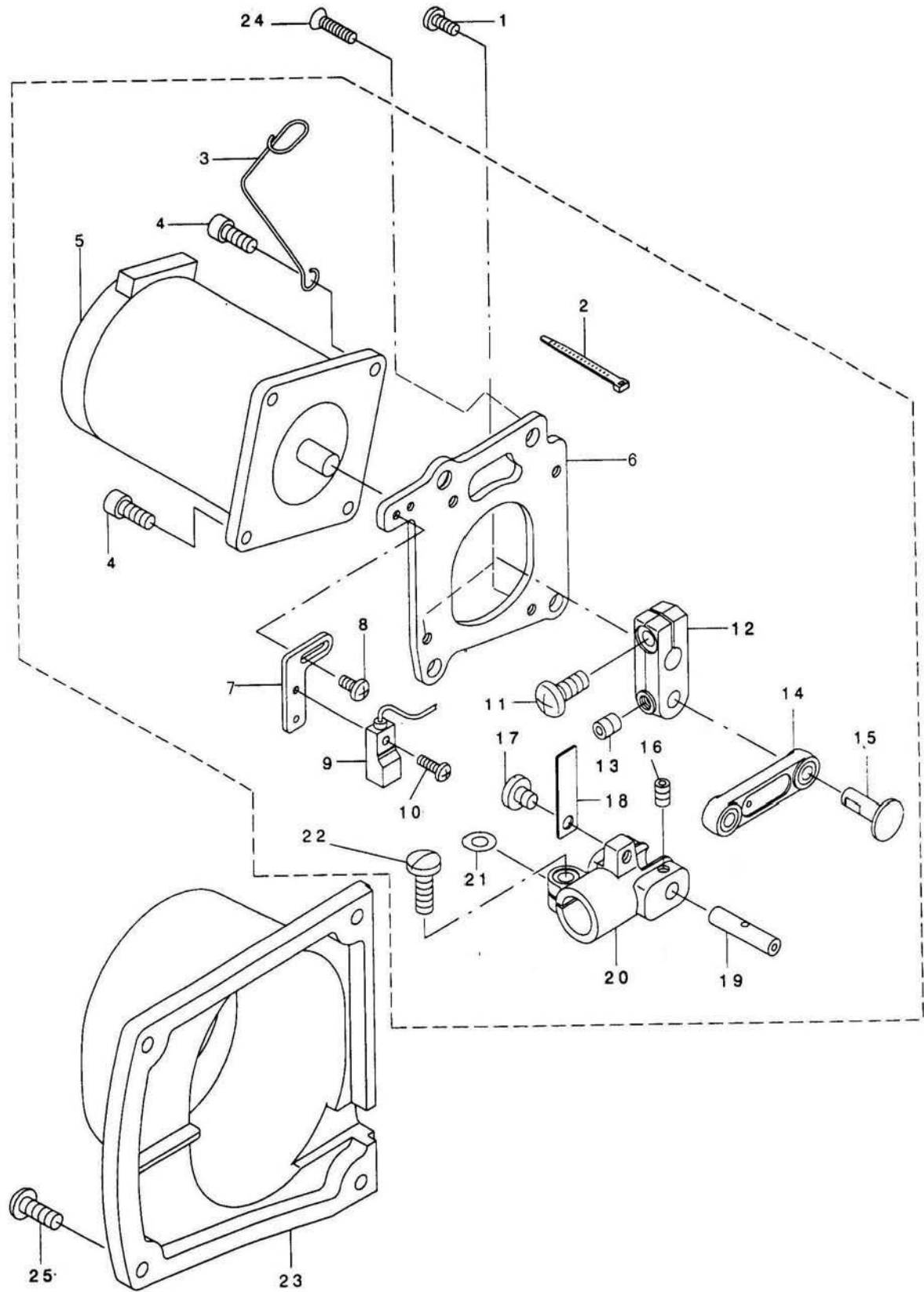
3. MAIN SHAFT&THREAD TAKE-UP&NEEDLE EAR COMPONENTS
挑线刺布部件



3. 挑线刺布部件				
MAIN SHAFT&THREAD TAKE-UP&NEEDLE BAR COMPONENTS				
序号 NO.	图号 Part No.	描述	Description	数量
1		电线自锁夹	CABLE BAND	1
2	10003586	针杆连杆轴承	BUSHING	2
3	10000310	针杆连杆	NEEDLE ROD CRANK ROD	1
4	10000230	针杆摆动架组件	NEEDLE ROD SUPPORT BASE ASM.	1
5	10000227	针杆摆动架轴	NEEDLE ROD SUPPORT BASE SHAFT	1
6	10000205	针杆摆动架销螺钉	SCREW	1
7	10000204	针杆摆动架销	SUPPORT BASE GUIDE SHAFT	1
8	10000306	摆动架毛毡	NEEDLE ROD SUPPORT BASE FELT	1
9	10003469	针杆摆动架开口销	SPRING PIN	1
10	10000228	针杆轴套	NEEDLE ROD METAL	2
11	10000227	针杆摆动架	NEEDLE ROD SUPPORT BASE	1
12	10000320	摆动架左定位销螺钉	SCREW	1
13	10000647	摆动架左定位销	SUPPORT BASE GUIDE PIN B	1
14	10000646	摆动架右定位销	SUPPORT BASE GUIDE PIN A	1
15	10000321	摆动架右定位销O形圈	RUBBER RING	1
16	10009890	旋转挑线盘螺钉	SCREW	3
17	10000337	旋转挑线盘	BALANCE V	1
18	10000232	旋转挑线盘座组件	TAKE-UP COUNTERWEIGHT ASM.	1
19	10008538	挑线曲柄	NEEDLE ROD CRANK	1
20	10010210	小连杆导板螺钉	SCREW	2
21	10000319	小连杆导板	NEEDLE ROD CRANK ROD GUIDE	1
22	10000264	针杆连接柱导轨螺钉	SCREW	2
23	10000312	针杆曲柄紧定螺钉	SCREW	1
24	10005020	挑线曲柄螺钉	SCREW	2
25	10000307	针杆连接柱导轨	NEEDLE ROD HOLDER GUIDE	1
26	10010545	针杆曲柄定位螺钉	SCREW	1
27	10000311	针杆曲柄	COUNTER WEIGHT	1
28	10000315	上轴	UPPER SHAFT	1
29	10025881	上轴前轴承	BEARING	1
30	10000313	上轴轴承挡圈	MAIN SHAFT BEARING SUPPORT	1
31	10000314	上轴轴承挡圈螺钉	SCREW	2
32	10003603	上轴后轴承	BEARING	1
33	10000314	上轴带轮螺钉	SCREW	2
34	10000648	上轴带轮	UPPER SHAFT SPROCKET	1
35	10000316	同步齿形带	TIMING BELT	1
36	10000314	上轴传动连接块螺钉	SCREW	4
37	10000233	上轴电机外六角螺钉	SCREW	1
38	10022370	上轴电机	MOTOR A ASM.	1
39	10000233	上轴电机螺钉组件	SCREW	4
40	10000314	上轮紧固螺钉	SCREW	2
41	20004078	上轮	HAND WHEEL	1
42	10000318	摆动架后中套螺钉	SCREW	1
43	10000317	摆动架后中套弹簧	SPRING	1
44	10000205	摆动架后外套	SUPPORT BASE SHAFT FRONT METAL	2
45	10000306	摆动架后中套	SUPPORT BASE SHAFT REAR METAL	1
46	10000204	针杆摆动架前套	SUPPORT BASE SHAFT FRONT METAL	1

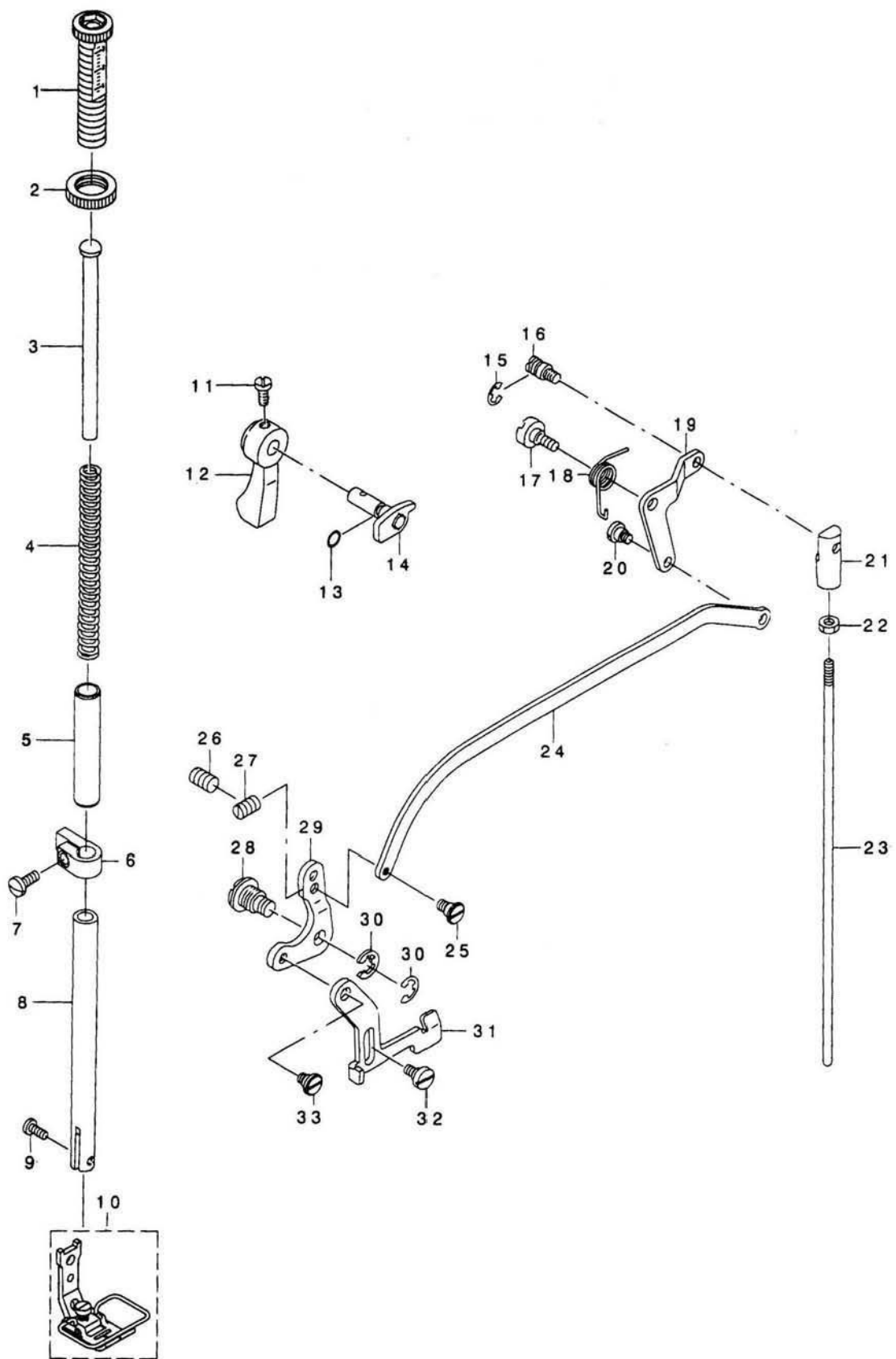
47	10000309	针杆连接柱	NEEDLE BAR CONNECTION	1
48	10010018	针杆连接柱螺钉	SCREW	1
49	10000322	针杆线钩	THRED RACK. RIGHT	1
50	10010588	机针螺钉	SCREW	1
51	10003366	机针(薄料用)	NEEDLE(DPx5 #10)	1
52	10004858	机针(厚料用)	NEEDLE (DPX5#14)	1
53	10000203	针杆	NEEDLE ROD	1
54	10000868	上轴连接前块	NEEDLE ROD CRANK	1
55	10011227	上轴传动连接胶块	RUBBER	1
56	10000838	上轴传动连接后块	COUPLING	1

4. NEEDLE VIBRATOR COMPONENTS
摆针部件



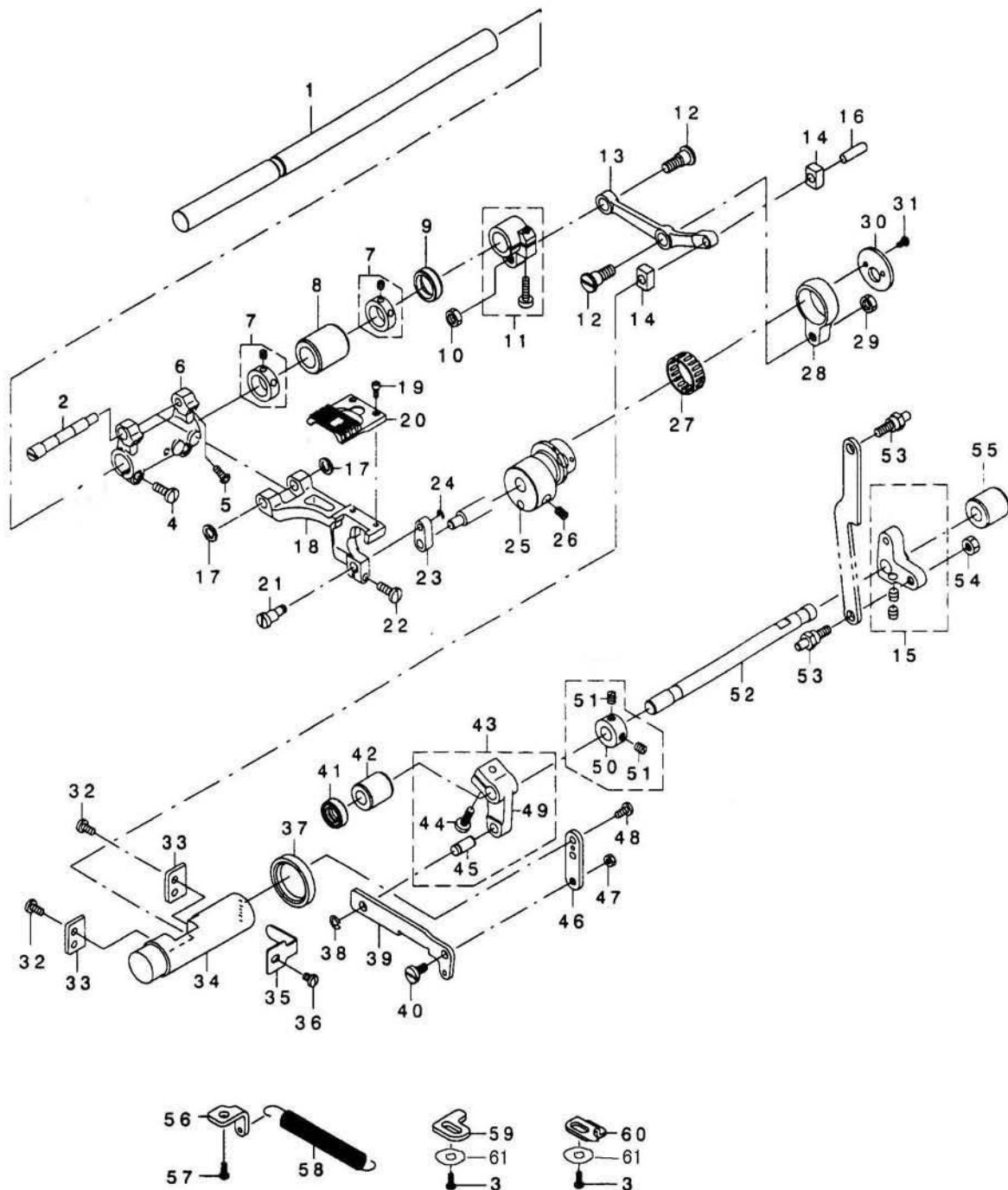
4. 摆针部件				
NEEDLE VIBRATOR COMPONENTS				
序号 NO.	图号 Part No.	描述	Description	数量
1	10000341	步进电机安装板螺钉	SCREW	2
2		电线自锁夹	CABLE BAND	1
3	10000343	电线定位弹簧	CORD CLAMP	1
4	10000342	步进电机螺钉	SCREW	4
5	10024500	步进电机	PULSE MOTOR	1
6	10025488	步进电机安装板	NEEDLE VIBRATOR UNIT BASIS	1
7	10000344	步进电机感应器安装板	SENSOR FITTING PLATE	1
8	10000345	步进电机感应器安装板螺钉	SCREW	2
9	10003734	步进电机感应器	ZERO SENSOR A ASM.	1
10	10003060	步进电机感应器螺钉	SCREW	1
11	10008776	摆动架驱动块螺钉	SCREW	1
12	10024828	摆动架驱动块	MOTOR LINK	1
13	10008775	摆动架连杆销螺钉	SCREW	1
14	10000681	摆动架连杆组件	SHAFT CONNECTION LINK ASM.	1
15	10000640	摆动架连杆销	NEEDLE VIBRATOR JUNCTION ROD	1
16	10009906	摆动架连杆轴螺钉	SCREW	2
17	10000513	感应器挡板螺钉	SCREW	1
18	10003265	感应器挡板	SENSOR SLIT	1
19	10000683	摆动架连杆轴	SHAFT CONNECTION PIN	1
20	10000682	摆动架连接座	SUPPORT BASE SHAFT CONNECTION	1
21	10009469	摆动架连接座螺钉垫片	WASHER	1
22	10000347	摆动架连接座螺钉	SCREW	1
23	20003396	步进电机罩	NEEDLE VIBRATOR UNIT COVER	1
24	10000340	步进电机安装板沉头螺钉	SCREW	2
25	10000512	步进电机罩螺钉	SCREW	4
26	10009873	摆动架连杆轴小螺钉	SCREW	1

5. HAND LIFTER COMPONENTS
 抬压脚部件



5. 抬压脚部件				
HAND LIFTER COMPONENTS				
序号 NO.	图号 Part No.	描述	Description	数量
1	10013325	调压螺钉	PRESSER SPRING REGULATOR	1
2	10011023	调压螺母	NUT	1
3	10004439	调压导杆	PRESSER GUIDE BAR	1
4	10004505	调压弹簧	PRESSER SPRING REGULATOR	1
5	10027072	压杆轴套	BUSHING	1
6	10000244	压杆导架	SCREW	1
7	10013647	压杆导架螺钉	PRESSER BAR GUIDE BRACKET	1
8	10026790	压杆	PRESSER BAR GUIDE BRACKET	1
9	10010018	压脚螺钉	SCREW	1
10	10003220	活压脚部件	PRESSER FOOT ASM.	1
11	10010016	压脚扳手螺钉组件	SCREW	1
12	10011064	压脚扳手	HAND LIFTER	1
13	10010027	O形圈	RUBBER RING	1
14	10002388	压脚扳手组件	HAND LIFTER CAM COMPL.	1
15	10013038	杠杆接头卡簧	E-RING	1
16	10001099	杠杆接头螺钉	CONNECTING ROD HINGE SCREW	1
17	10000238	抬压脚后杠杆螺钉	KNEE LIFTING LINK STEP-SCREW	1
18	10000239	抬压脚后杠杆复位弹簧	KNEE LIFTING LINK SPRING	1
19	10000239	抬压脚后杠杆	KNEE LIFTING LINK SPRING	1
20	10000599	抬压脚后杠杆销	HINGE SCREW	1
21	10000241	抬压脚顶杆接头	SWIVEL	1
22	10000242	顶杆螺母	NUT	1
23	10000243	顶杆	KNEE LIFTING JUNCTION ROD	1
24	10000598	抬压脚拉杆	KNEE LIFTING SIDE ROD LINK	1
25	10000248	抬压脚拉杆螺钉	HINGE SCREW	1
26	10005983	紧定螺钉	SCREW	1
27	10002828	限位螺钉	SCREW	1
28	10000246	前杠杆吊紧螺钉	HINGE PIN	1
29	10000247	抬压脚前杠杆	LIFTING LEVER LINK	1
30	10009654	螺纹销开口挡圈	SNAP RING	2
31	10002826	抬压脚升降板	LIFTING LEVER	1
32	10002827	升降板下螺钉	HINGE SCREW	1
33	10000245	升降板上螺钉	HINGE SCREW	1

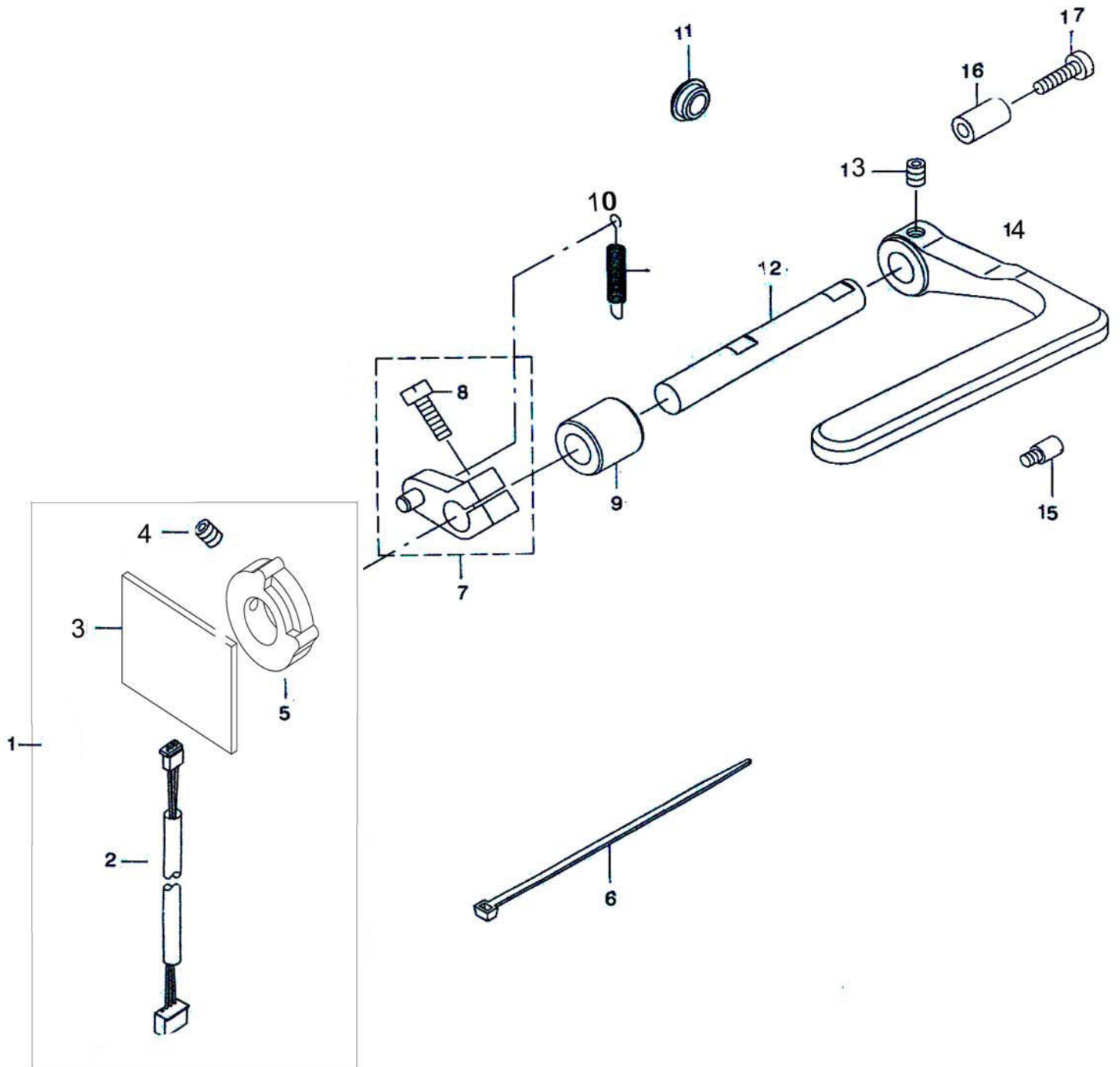
6. FEED MECHANISM COMPONENTS I
 送料部件 I



6. 送料部件 I				
FEED MECHANISM COMPONENTS I				
序号 NO.	图号 Part No.	描述	Description	数量
1	10000273	送料轴	HORIZONTAL FEED SHAFT	1
2	10000279	牙架销	FEED BASE SHAFT	1
3	10000077	限位板III螺钉	SCREW	2
4	10000347	牙架座螺钉	SCREW	2
5	10000148	抬牙销紧固螺钉	SCREW	2
6	10012494	牙架座	FEED ROCKER	1
7	10000272	送料轴挡圈	THRUST COLLAR ASM.	2
8	10012494	送料轴套筒	FEED ROCKER SHAFT METAL	1
9	10012536	送料轴油封	OIL SEAL	1
10	10004475	传动连杆曲柄螺母	NUT	1
11	10000272	送料曲柄	FEED ROCKER SHAFT CRANK ASM.	1
12	10000270	传动连杆曲柄螺钉	SCREW	2
13	10000600	传动连杆曲柄	CONNECTING ROD	1
14	10003296	传动轴滑块	FEED DRIVING ROCKER BLOCK	2
15	10000275	倒送料曲柄 I	FEED CHANGE ARM B ASM.	1
16	10003295	传动连杆销	PIN	1
17	10010314	牙架销垫片	SPACER	2
18	10000275	牙架	FEED BASE SHAFT	1
19	10000406	送料牙螺钉	SCREW	2
20	10000613	送料牙	FEED DOG	1
21	10000281	抬牙销	LINK SHAFT	1
22	10000347	牙架紧固螺钉	SCREW	1
23	10000280	抬牙小连杆	LINK	1
24	10003248	抬牙销挡圈	E-RING	1
25	10000277	送料偏心凸轮	HORIZONTAL FEED CAM	1
26	10000268	偏心轮紧定螺钉	SCREW	2
27	10000603	滚针轴承	BEARING	1
28	10000288	送料偏心凸轮套	ROD	1
29	10004475	传动连杆曲柄螺母	NUT	1
30	10000602	送料偏心凸轮挡板	HORIZONTAL FEED CAM COVER	1
31	10000268	送料偏心凸轮挡板螺钉	SCREW	2
32	10000264	送料连接传动轴螺钉	SCREW	4
33	10000262	送料连接传动轴挡板	PLATE A	2
34	10000262	送料连接传动轴	FEED ADJUSTING	1
35	10000601	限位板 I	FEED ADJUSTING PRESSER	1
36	10000266	限位板 I 螺钉	SCREW	1
37	10000267	送料连接传动轴油封	FEED ADJUSTING OIL SEAL	1
38	10009654	倒送料板卡簧	E-RING	1
39	10000284	倒送料板	FEED REVERSAL LINK	1
40	10000285	倒送料板螺钉	SCREW	1
41	10012622	倒送料轴油封	FEED CHANGING SHAFT OIL SEAL	1
42	10012629	倒送料轴前轴套	METAL. A	1
43	10021315	倒送料曲柄 II 部件	FEED CHANG ARM A ASM.	1
44	10000347	倒送料曲柄 II 螺钉	SCREW	1
45	10000286	倒送料曲柄销	FEED ADJUSTING LINK PIN	1
46	10000614	连接板	FEED ADJUSTING ARM	1

47	10011492	倒送料板螺母	NUT	1
48	10000285	倒送料板螺钉	SCREW	1
49	10000287	倒送料曲柄 II	FEED CHANGE ARM A	1
50	10000378	倒送料轴挡圈	THRUST COLLAR	1
51	10013590	倒送料轴挡圈螺钉	SCREW	2
52	10000274	倒送料轴	FEED CHANGE SHAFT	1
53	10012418	倒送料曲柄 I 螺钉	SCREW	2
54	10010725	倒送料曲柄 I 螺母	NUT	1
55	10000276	倒送料轴后轴套	METAL. B	1
56	10000289	复位弹簧钩	FEED SPRING RACK	1
57	10000077	复位弹簧钩螺钉	SCREW	1
58	10000280	复位弹簧	FEED ADJUSTING SPRING	1
59	10000269	限位板 III	TRGULATE PLATE	1
60	10002390	限位板 II	TRGULATE PLATE	1
61	10002995	垫圈	WASHER	2

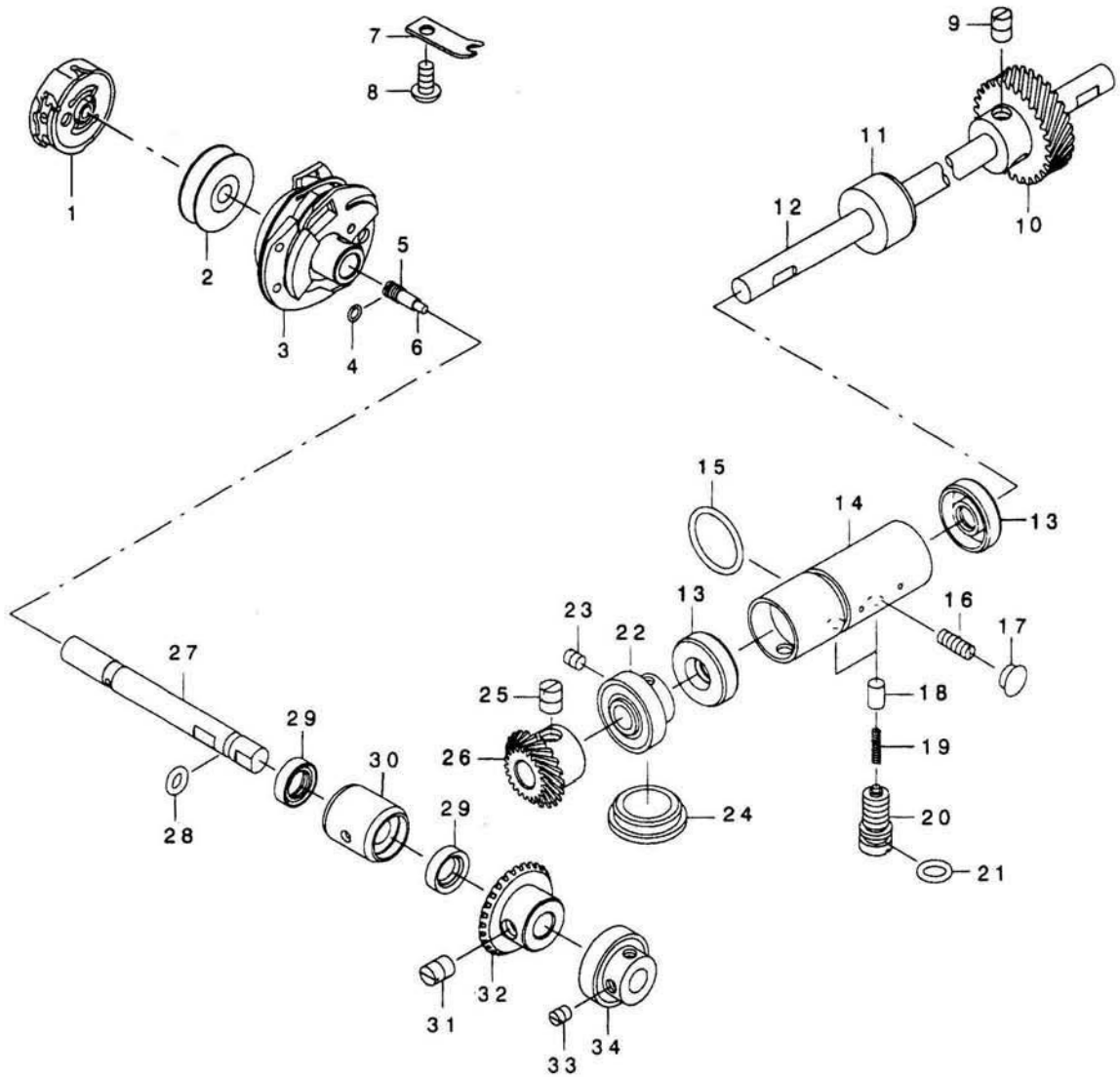
7. FEED MECHANISM COMPONENTS II
送料部件 II



7. 送料部件 II				
FEED MECHANISM COMPONENTS II				
序号 NO.	图号 Part No.	描述	Description	数量
1		送布拨杆传感器组件	FEED WRENCH SENSOR COMPONENTS	1
2	10026359	送布拨杆传感器接线	FEED WRENCH SENSOR WRIE	1
3	10026223	送布拨杆传感器	FEED WRENCH SENSOR	1
4	10002853	螺钉	SCREW	1
5	10026535	送布拨杆传感器电磁铁	FEED WRENCH SENSOR ELECTROMAGNET	1
6		电线自锁夹	CABLE BAND	1
7	20000150	倒缝曲柄组件	FEED CRANK	1
8	10010095	倒缝曲柄组件螺钉	SCREW	1
9	10000294	倒缝扳手轴套	WRENCH METAL	1
10	10000687	倒缝扳手复位弹簧	FEED SPRING	1
12	10000722	倒送料轴	FEED SHAFT	1
13	10009187	倒送料轴紧定螺钉	SCREW	1
14	20003390	倒送料扳手	FEED WRENCH	1
15	10000723	倒缝扳手下限位销	FEED DOWN LIMIT SHAFT	1

8. HOOK DRIVING SHAFT COMPONENTS I

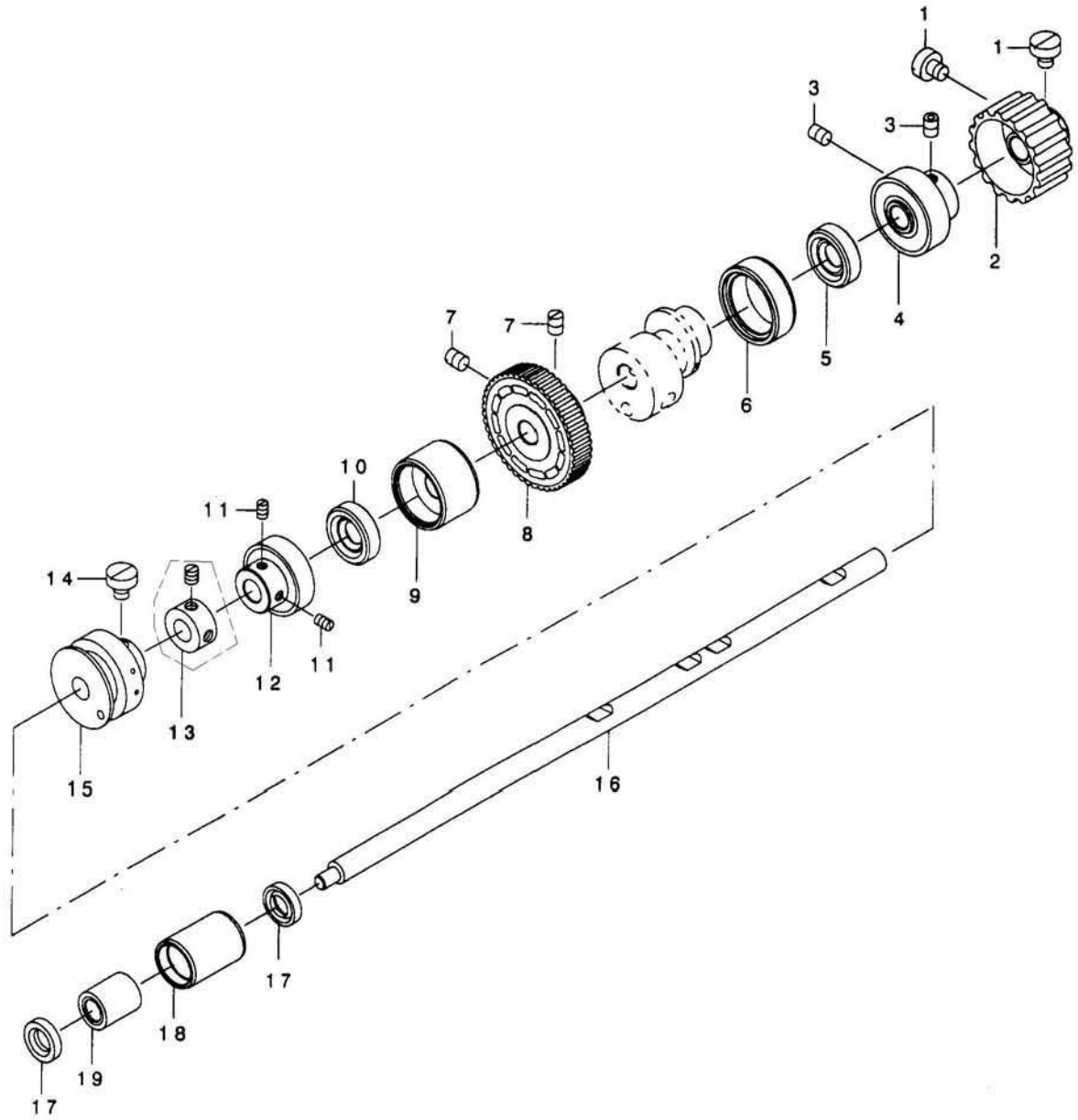
下轴部件 I



8. 下轴部件 I				
HOOK DRIVING SHAFT COMPONENTS I				
序号 NO.	图号 Part No.	描述	Description	数量
1	10003804	梭壳	BOBBIN CASE ASM.	1
2	10010377	梭心	BOBBINS	1
3	10003806	旋梭	HOOK COMPL. V	1
4	10000457	旋梭限油螺钉O形圈	RUBBER RING	1
5	10010029	旋梭限油螺钉	SCREW	1
6	10010063	下轴限油芯	OIL WICK	1
7	10000456	旋梭定位板	INNER HOOK STOPPER	1
8	10010066	旋梭定位板螺钉	SCREW	1
9	10003921	旋梭驱动轴圆柱斜齿轮螺钉	SCREW	2
10	10000462	旋梭驱动轴圆柱斜齿轮	HOOK DRIVING GEAR	1
11	10000461	旋梭驱动轴后轴套	HOOK DRIVING SHAFT REAR METAL	1
12	10000582	旋梭驱动轴	HOOK DRIVING SHAFT	1
13	10003797	旋梭驱动轴前轴套油封	HOOK DRIVING SHAFT OIL SEAL	2
14	10000581	旋梭驱动轴前轴套	PUMP METAL	1
15	10000460	旋梭驱动轴前轴套O形圈	RUBBER RING	1
16	10000463	旋梭驱动轴前轴套调节螺钉	SCREW	1
17	10000091	调节螺钉油塞	PLUG	1
18	10002399	柱塞	PLUNGER	2
19	10014386	柱塞簧	RUBBER SPRING	2
20	10000464	柱塞螺钉	SCREW	2
21	10000465	柱塞螺钉O形圈	RUBBER RING	2
22	10026221	旋梭驱动轴轴承	HOOK SHAFT BEARING ASM.	1
23	10000459	旋梭驱动轴轴承挡圈螺钉	SCREW	2
24	10000616	旋梭驱动轴轴承油塞	RUBBER PLUG	1
25	10003921	旋梭驱动轴伞齿螺钉	SCREW	2
26	10010029	旋梭驱动轴伞齿轮	HOOK GEAR	1
27	10003436	旋梭轴	HOOK SHAFT	1
28	10003437	旋梭轴O形圈	RUBBER RING	1
29	10003797	旋梭轴轴套油封	HOOK SHAFT OIL SEAL	2
30	10000581	旋梭轴轴套	HOOK SHAFT FRONT METAL	1
31	10003921	旋梭轴伞齿轮螺钉	SCREW	2
32	10003937	旋梭轴伞齿轮	HOOK GEAR	1
33	10000459	旋梭轴轴承挡圈螺钉	SCREW	2
34	10026221	旋梭轴轴承	HOOK SHAFT BEARING ASM.	1

9. HOOK DRIVING SHAFT COMPONENTS II

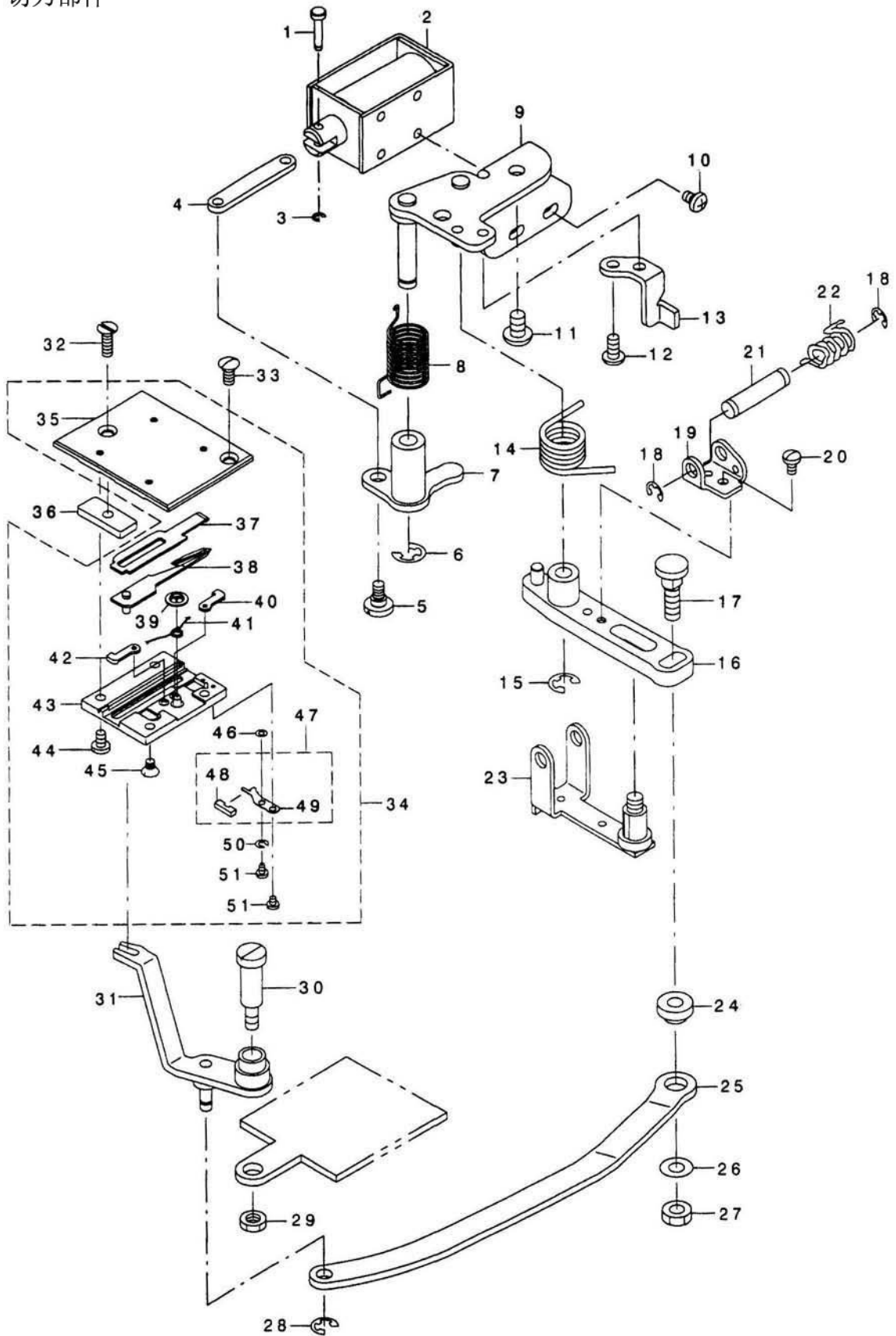
下轴部件 II



9. 下轴部件 II				
HOOK DRIVING SHAFT COMPONENTS II				
序号 NO.	图号 Part No.	描述	Description	数量
1	10000428	下轴带轮紧固螺钉	SCREW	2
2	10003438	下轴带轮	LOWER SHAFT SPROCKET	1
3	10000314	下轴后轴承挡圈螺钉	SCREW	2
4	10003581	下轴后轴承	LOWER SHAFT REAR BEARING ASM.	1
5	10003791	下轴后轴套油封	OIL SEAL	1
6	10000426	下轴后轴套	LOWER SHAFT REAR BUSH	1
7	10003921	下轴斜齿轮螺钉	SCREW	2
8	10000427	下轴斜齿轮	HOOK DRIVING GEAR	1
9	10000425	下轴中轴套	LOWER SHAFT INNER METAL	1
10	10003791	下轴中轴套油封	OIL SEAL	1
11	10013590	下轴中轴承挡圈螺钉	SCREW	2
12	10009778	下轴中轴承	LOWER SHAFT INNER BEARING ASM.	1
13	10000378	下轴挡圈	THRUST COLLAR ASM.	1
14	10000428	剪线凸轮紧固螺钉	SCREW	2
15	10000431	剪线凸轮	THREAD TRIMMER CAM	1
16	10000430	下轴	LOWER SHAFT	1
17	10007409	下轴前轴套油封	OIL SEAL	2
18	10000432	下轴前轴套	LOWER SHAFT FRONT BEARING BUSH	1
19	10003608	下轴前轴承	BEARING A 10	1

10. THREAD TRIMMER MECHANISM COMPONENTS

切刀部件

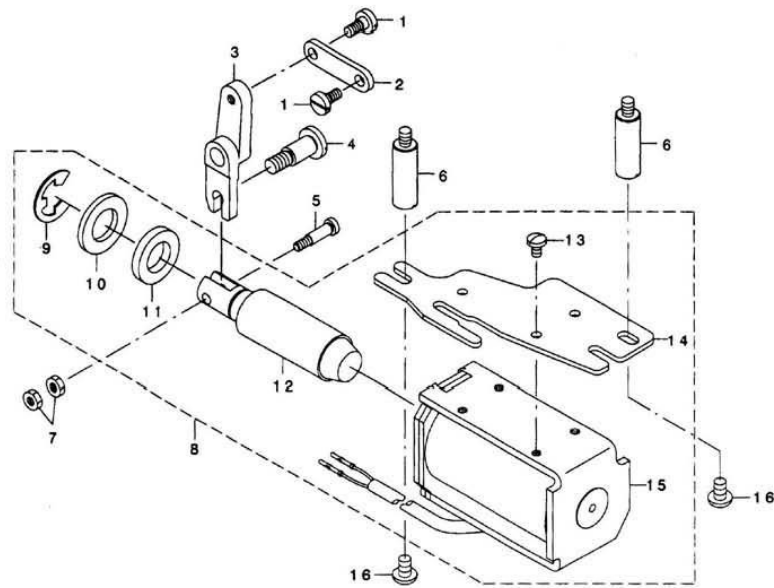


10. 切刀部件				
THREAD TRIMMER MECHANISM COMPONENTS				
序号 NO.	图号 Part No.	描述	Description	数量
1	10000028	电磁铁销	CLUTCH LINK PIN	1
2	10000030	切线电磁铁	THREAD TRIMMER SOLENOID	1
3	10003231	电磁铁销挡圈	E-RING	1
4	10000360	电磁铁连板	CLUTCH LINK	1
5	10000359	驱动板螺钉	HING SKEW	1
6	10005634	驱动板挡圈	E-RING	1
7	10000367	驱动板组件	CLUTCH PLATE ASM	1
8	10000358	驱动板复位簧	CLUTCH RETURN SPRING	1
9	10000024	凸轮从动器架组件	BASE PLATE ASM	1
10	10003044	电磁铁固定螺钉	SCREW	3
11	10000077	驱动器紧固螺钉	SCREW	2
12	10009735	复位挡板螺钉	SCREW	2
13	10000587	曲柄复位挡板	DRIVING ARM STOPPER	1
14	10000026	驱动曲柄复位簧	KNIFE RETURN SPARING	1
15	10005634	驱动曲柄定位挡圈	E-RING	1
16	10005655	剪线驱动曲柄部件	KNIFE DRIVING ARM ASM	1
17	10000025	连接销	MOVING KNIFE LINK PIN	1
18	10012795	托板支承架挡圈	E-RING	2
19	10005636	托板支承架	ROLLER ARM SEAT	1
20	10010016	托架支承架螺钉	SCREW	1
21	10005668	托板支架销	ROLLER FULCRUM SHAFT	1
22	10005676	托板复位簧	ROLLER RETURN SPRING	1
23	10005805	凸轮滚柱托板部件	ROLLER ARM ASM	1
24	10000024	连接销套	MOVING KNIFE LINK BASE	1
25	10000586	驱动连板	MOVING KNIFE LINK	1
26	10005637	连接销垫片	WASHER	1
27	10005808	连接销螺母	NUT	1
28	10013038	切刀驱动架销挡圈	E-RING	1
29	10010725	切刀架螺母	NUT	1
30	10000031	切刀驱动架螺钉	HINGE SCREW	1
31	10000023	切刀驱动架组件	FORK KNIFE ASM	1
32	10000035	夹紧板螺钉	SCREW	1
33	10000033	切刀板定位螺钉	SCREW	1
34	10025157	切刀组件	KNIFE UNIT	1
35	10000038	切刀板	SLIDING PLATE	1
36	10000438	夹紧板	FIXED PLATE	1
37	10000439	上切刀	FIXED KNIFE	1
38	10000027	下切刀组件	DRIVING KNIFE ASM	1
39	10000442	弹簧盖帽	LOCATING SPRING WASHER	1
40	10000440	前刀钩	KNIFE STOPPER, RIGHT	1
41	10000441	刀钩弹簧	SPRING	1
42	10000443	后刀钩	KNIFE STOPPER, LEFT	1
43	10000037	切刀架	KNIFE BASE	1
44	10000032	切刀架固定螺钉	SCREW	2
45	10000438	切刀架定位螺钉	SCREW	2
46	10000036	螺钉垫片	WASHER	1

47	10000445	弹簧片组件	CLAMP PLATE ASM	1
48	10002398	毛毡	FELT	1
49	10000444	切刀弹簧片	CLAMP PLATE	1
50	10003070	螺钉弹性垫片	SPRING WASHER	1
51	10000445	切刀弹簧片螺钉	SCREW	2

11. AUTOMATIC REVERSE FEED MECHANISM COMPONENTS

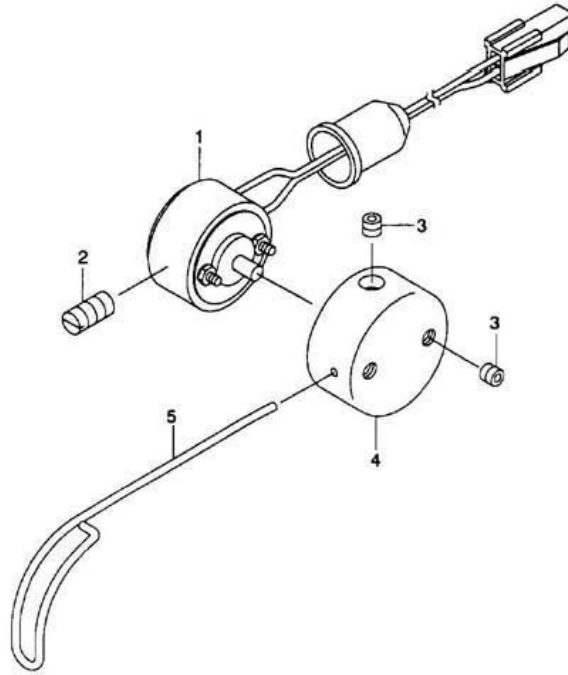
自动倒送料部件



11. 自动倒送料部件				
AUTOMATIC REVERSE FEED MECHANISM COMPONENTS				
序号 NO.	图号 Part No.	描述	Description	数量
1	10003662	连接板螺钉	HINGE SCREW	2
2	10000450	连接板	AUTOMATIC REVERSE FEED ARM	1
3	10003663	驱动轴曲柄	AUTOMATIC REVERSE FEED ARM	1
4	10000451	驱动轴曲柄螺钉	HINGE SCREW	1
5	10000448	电磁铁驱动轴螺钉	PLUNGER ARM PIN	1
6	10000449	固定板定位大螺钉	BELT COVER STUD	2
7	10003662	电磁铁驱动轴螺母	NTU	2
8	10000446	倒缝电磁铁	SOLENOID BASE ASM	1
9	10003232	电磁铁挡圈	E-RING	1
10	10000453	电磁铁限位板	WASHER	1
11	10000454	电磁铁垫片	RUBBER PLUNGER	1
12	10000452	电磁铁驱动轴	REVERSE FEED SOLENOID PLUNGER	1
13	10009906	固定板螺钉	SCREW	3
14	10000447	倒缝电磁铁固定板	REVERSE FEED SOLENOID BASE	1
15	10000455	倒缝电磁铁主体	REVERSE FEED SOLENOID	1
16	10000077	固定板定位小螺钉	SCREW	2

12. THREAD FEEDER COMPONENTS

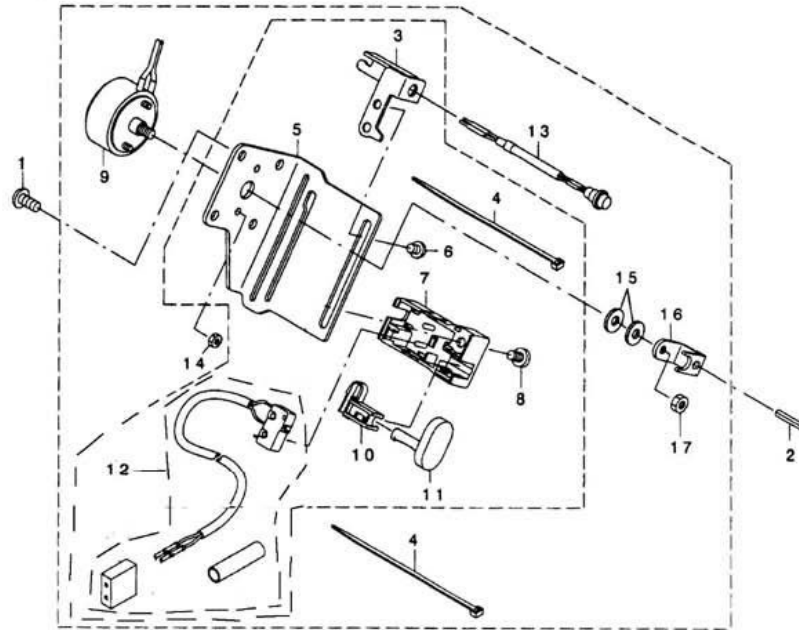
挑线部件



12. 挑线部件				
THREAD FEEDER COMPONENTS				
序号 NO.	图号 Part No.	描述	Description	数量
1	10000496	挑线电磁铁	FEEDER SOLENOID ASM	1
2	10000320	挑线杆电磁铁紧固螺钉	SCREW	1
3	10013590	电磁铁罩紧固螺钉	SCREW	3
4	10000494	挑线电磁铁罩	FEEDER WIRE FITTING BASE	1
5	10000495	挑线杆	FEEDER WIRE	1

13. THREAD RELEASE SOLENOID COMPONENTS

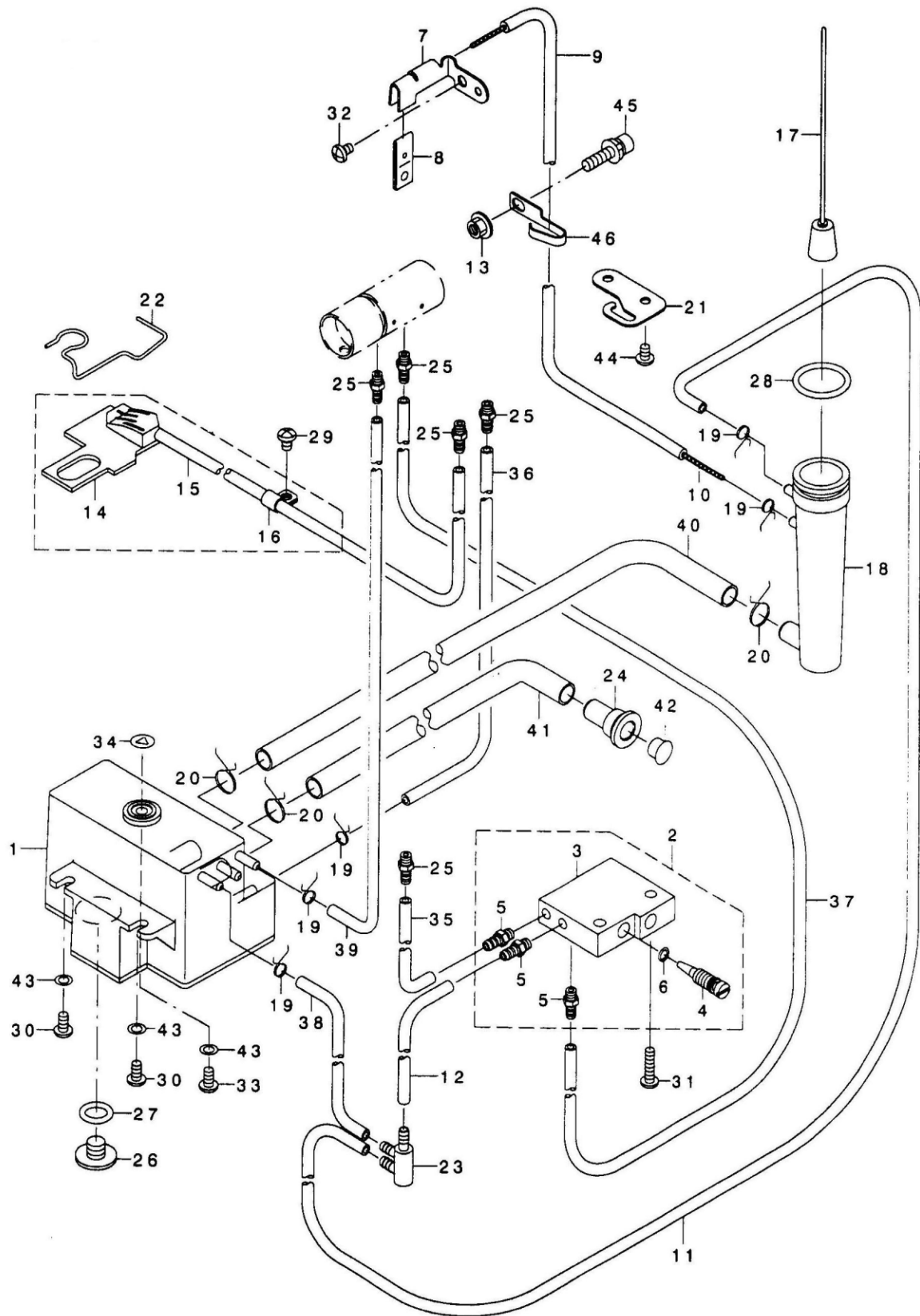
松线及倒缝按钮部件



13. 松线及倒缝按钮部件				
THREAD RELEASE SOLENOID COMPONENTS				
序号 NO.	图号 Part No.	描述	Description	数量
1	10001281	电磁铁固定板固紧螺钉	SCREW	4
2	10009324	松线板弹簧销	SPRING PIN	1
3	10001271	指示灯固定架	MANUAL SWITCH BASE GUIDE	1
4		电线自锁夹	CABLE BAND	1
5	10000502	松线电磁铁固定板	MANUAL SWITCH BASE	1
6	10002400	指示灯固定架螺钉	SCREW	1
7	10000510	点动开关盒	REVERSE FEED SWITCH COVER	1
8	10002940	开关盒固定螺钉	SCREW	1
9	10000507	松线电磁铁	THREAD RELEASE SOLENOID COMPL	1
10	10000511	开关弹簧	REVERSE FEED SWITCH SUPPORT	1
11	10000597	按钮	REVERSE FEED SWITCH SHAFT	1
12	10002569	电器开关	REVERSE FEED CORD ASM	1
13	10000499	指示灯	SW LED CABLE A ASM	1
14	10003025	电磁铁小螺母	NUT	2
15	10000497	垫片	FRAME SIDE COVER GASKET	2
16	10000498	松线板	THREAD RELEASE PUSH PLATE	1
17	10009471	电磁铁大螺母	NUT	1

14. LUBRICATION COMPONENTS

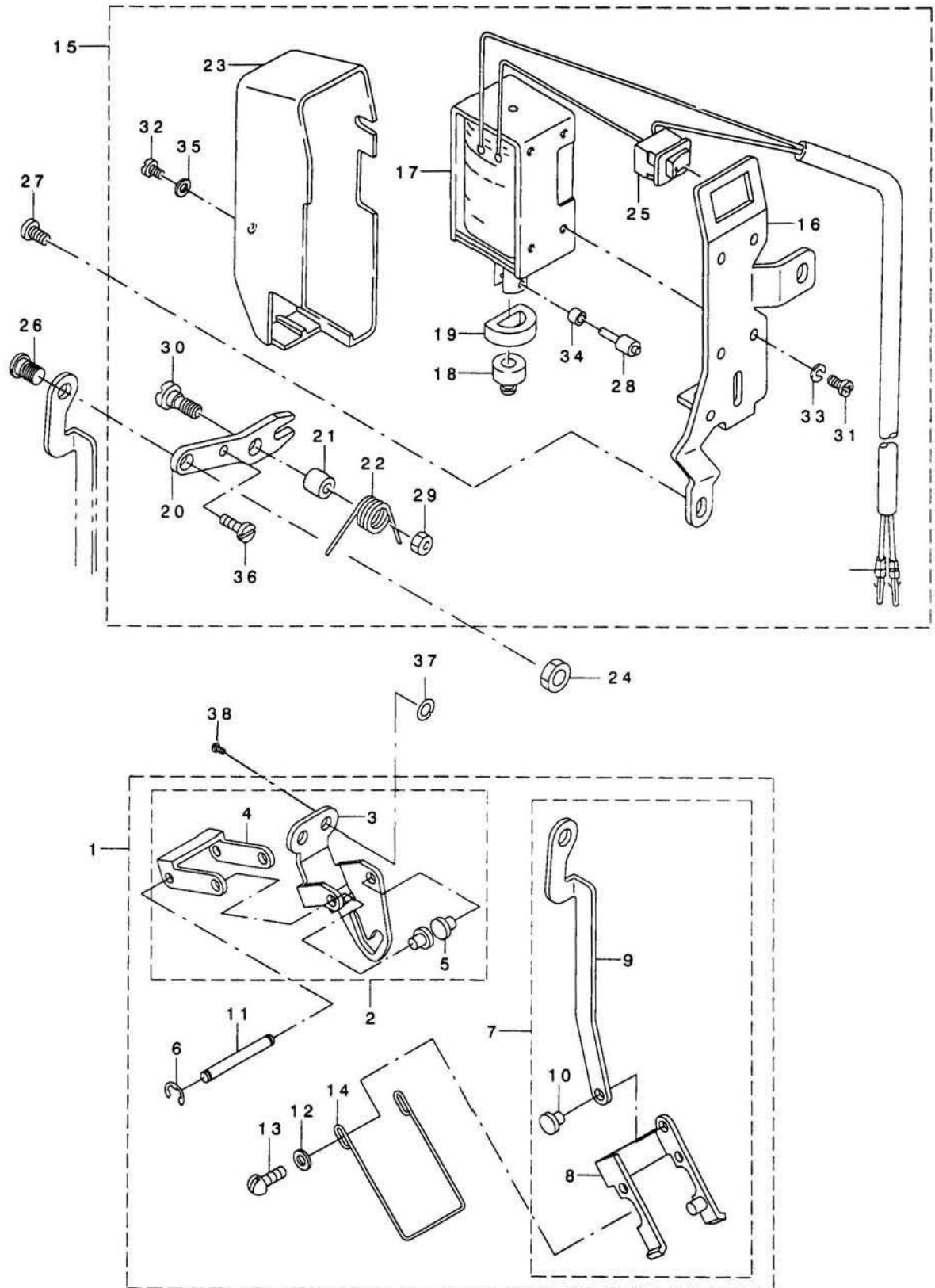
油路部件



14. 油路部件				
LUBRICATION COMPONENTS				
序号 NO.	图号 Part No.	描述	Description	数量
1	10000570	油盒	OIL TANK ASM.	1
2	20006610	油量调节阀组件	HOOK OIL REGULATING ASM.	1
3	10002401	油量调节阀	HOOK OIL REGULATING	1
4	10000566	油量调节杆	HOOK OIL REGULATING SCREW	2
5	10008779	油管接头	LUBRICATION CONNECTOR	6
6	10000567	油量调节阀O形圈	RUBBER RING	2
7	10000419	机头润滑油管油毡安装板	FACE LUBRICATION PRESSER	1
8	10000418	机头润滑油管油毡	BALANCE LUBRICATING	1
9	10007800	机头润滑油管	TUBE	1
10	10008068	机头润滑油线	OUL WICK	1
11	10007800	中转箱供油管	TUBE	1
12	10007800	调节阀回油管 I	TUBE	1
13	10000422	油管夹螺钉	SCREW	1
14	10000571	回油管油毡	ONCE THROUGH OIL FELT	1
15	10007800	回油管	TUBE	1
16	10004476	回油管夹	HOLDER	1
17	10000569	油标组件	FLOATER ASM.	1
18	10008782	油杯	FLOATER CASE	1
19	10008781	小油管紧固簧	PIPE STOPPER A	20
20	10008785	大油管紧固簧	PIPE STOPPER B	3
21	10000630	油管定位板	LUBRICATION TANK PIPE GUIDE	1
22	10000420	毛毡压杆	ONCE THROUGH OIL FELT PRESSER	1
23	10007800	中转箱回油管	TUBE	1
24	10008780	加油杯	OIL INLE	1
25	10008779	油管接头	LUBRICATION CONNECTOR	8
26	10008783	油合短螺钉	SCREW	1
27	10022793	油合O形圈	RUBBER RING	1
28	10008777	油杯O形圈	RUBBER RING	1
29	10008778	机头润滑油管油毡安装板螺钉	SCREW	1
30	10000099	油合紧固螺钉	SCREW	2
31	10000347	油量调节阀组件螺钉	SCREW	2
32	10008778	回油管夹螺钉	SCREW	1
33	10009900	油合长螺钉	SCREW	1
34	10000417	锁紧垫片	STOPPER	1
35	10007800	旋梭进油管	TUBE	1
36	10007800	吸油管	TUBE	1
37	10007800	油泵出油管 II	TUBE	1
38	10007800	油泵出油管 I	TUBE	1
39	10007800	调节阀回油管 II	TUBE	1
40	10007806	油杯大油管	TUBE B	1
41	10007806	总进油管	TUBE B	1
42	10000405	总进油管油塞	RUBBER PLUG	1
43	10000417	油泵紧固螺钉垫片	WASHER	1
44	10000098	油管定位板螺钉	SCREW	2
45	10000157	中转箱固定螺钉	SCREW	2
46	10000082	油管夹	LUBRICATING OIL WICK STOPPER	1

47	10000421	机头供油中转箱	OIL BOX	1
48	10000079	中转箱O形圈	RUBBER RING	1
49	10000075	中转箱O形圈螺钉	SCREW	1
50	10000091	调节阀油塞	RUBBER PLUG	1
51	10002396	油杯密封套	RUBBER PLUG	1

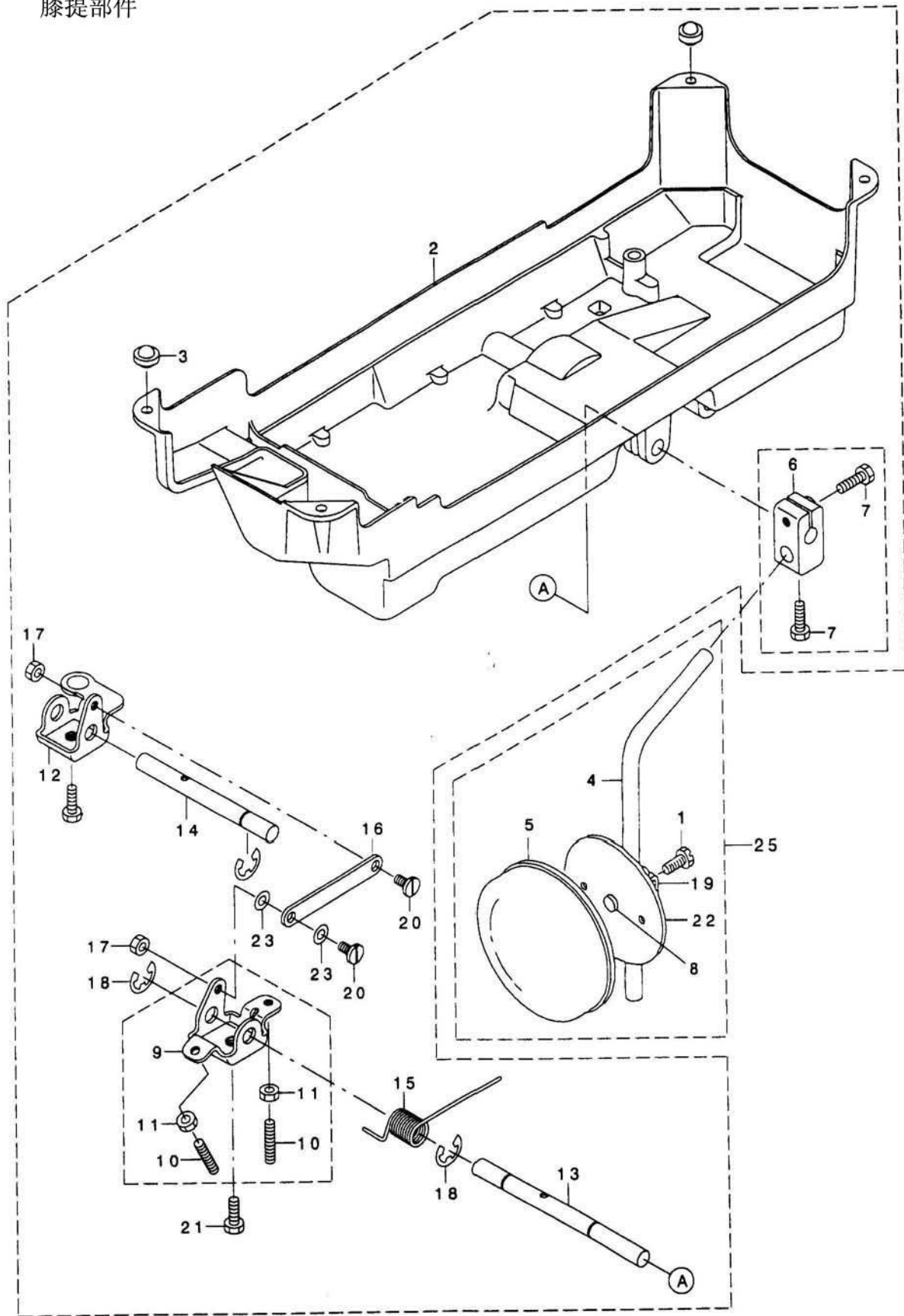
15. WIPER MECHANISM COMPONENTS
 拨线部件



15. 拨线部件				
WIPER MECHANISM COMPONENTS				
序号 NO.	图号 Part No.	描述	Description	数量
1	10000054	拨线器组件	WIPER ASM	1
2	10000533	拨线器架组件	WIPER BASE ASM	1
3	10000532	拨线器固定架	WIPER BASE	1
4	10000531	拨线小连板	WIPER LINK 1	1
5	10000045	小连板连接销	PIN	2
6	10003248	挡圈	E-RING	2
7	10000530	驱动板组件	WIPER LINK COMPL	1
8	10000529	拨线架	WIPER LINK ASM. 2	1
9	10000634	驱动板	WIPPER LINK	1
10	10000045	驱动板连接销	PIN	1
11	10000050	拨线杆架连接销	WIPER LINK SHAFT	1
12	10000051	拨线杆垫片	WASHER	2
13	10000052	拨线杆螺钉	SCREW	2
14	10000053	拨线杆	WIPER	1
15	10000049	拨线电磁铁组件	WIPER SOLENOID ASM	1
16	10000044	拨线电磁铁固定架	WIPER BASE	1
17	10000046	拨线电磁铁	WIPER SOLENOID	1
18	10012488	铁芯复位垫	WIPER RUBBER A	1
19	10005739	铁芯橡皮垫	WIPER RUBBER B	1
20	10000047	拨线传动板	WIPER LINK	1
21	10005769	轴位螺钉定位套	WIPER HINGE SCREW COLLAR	1
22	10005770	传动板复位簧	WIPER SPRING	1
23	10005724	拨线器罩	WIPER COVER	1
24	10000100	驱动板螺钉螺母	NUT	1
25	10000046	拨线器开关	POWER SWITCH	1
26	10000042	驱动板轴位螺钉	HINGE SCREW	1
27	10000098	拨线电磁铁架螺钉	SCREW	2
28	10005719	铁芯传动销	WIPER SOLENOID PIN	1
29	10005735	传动板轴位螺钉螺母	NUT	1
30	10000048	传动板轴位螺钉	HINGE SCREW	1
31	10003036	拨线电磁铁安装螺钉	SCREW	4
32	10003036	拨线器罩螺钉	SCREW	1
33	10003082	安装螺钉垫圈	SPRING WASHER	4
34	10005769	传动销滚柱	WIPER LINK COLLAR	1
35	10002998	拨线器罩螺钉垫圈	WASHER	1
36	10008458	弹簧复位螺钉	SCREW	1
37	10000043	拨线器固定螺钉垫片	WASHER	2
38	10000042	拨线器固定螺钉	SCREW	1

16. UNDER COVER COMPONENTS

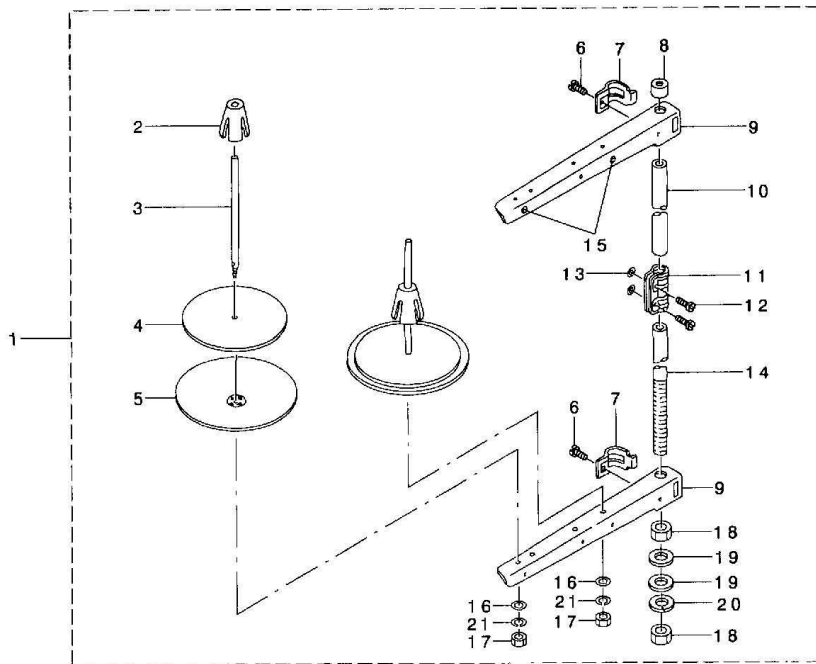
膝提部件



16. 底座部件				
UNDER COVER COMPONENTS				
序号 NO.	图号 Part No.	描述	Description	数量
1	10008383	膝控限位架	BRACKET	1
2	10003895	双向曲柄限位调节螺柱	SCREW	2
3	10003890	双向曲柄限位调节螺母	NUT	2
4	10003898	双向曲柄定位螺钉	SCREW	1
5	10008466	抬压脚轴	KNEE PRESS ROD	1
6	10012677	复位弹簧	SPRING	1
7	10002559	挡圈	E-RING	1
8	10012631	抬压脚顶杆	KNEE LIFTER PRESSER ROD	1
9	10000011	油盘	UNDER COVER ASM	1
10	10002613	接头螺栓	SCREW	2
11	10003896	操作杆接头	BRACKET	1
12	10003901	操纵杆	KNEE PAD UPRIGHT SHAFT	1
13	10003894	接头螺钉	SCREW	1
14	10003897	操纵杆接头	KNEE PAD PLATE SUPPORT	1
15	10003891	操纵板	KNEE PAD PLATE ASM	1
16	10003900	操纵杆垫	KNEE PAD PLATE RUBBER	1
17	10004223	操纵杆软垫	KNEE PAD PLATE COVER	1
18	10009985	操纵杆部件	KNEE PAD PLATE ASM	1
19	10000010	风扇铁丝网	WIRE OF FAN	2
20	10000012	风扇组件	FAN ASM	2
21	10008228	大线夹	COLLET	2
22	10005309	线夹螺钉	SCREW	3
23	10008228	小线夹	COLLET	1
24	10003416	风扇螺钉	SCREW	8

17. THREAD STAND COMPONENTS

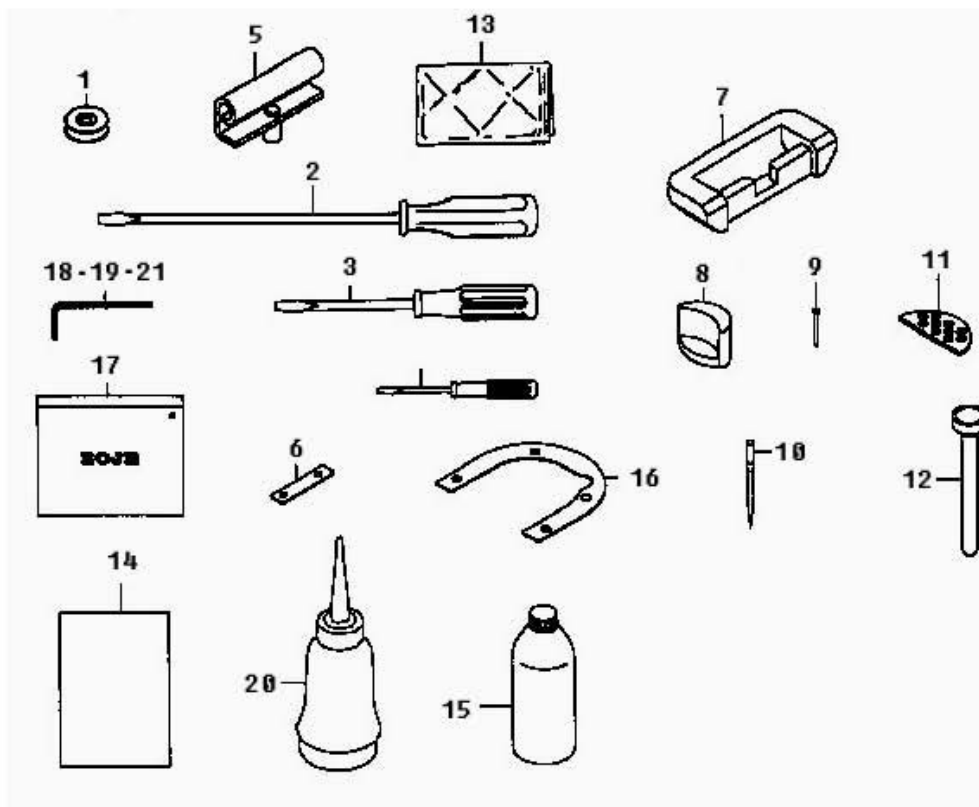
二线架部件



18. 附件				
ACCESSORIES PART COMPONENTS				
序号 NO.	图号 Part No.	描述	Description	数量
1	10024216	二线架	THREAD STAND ASM	1

18. ACCESSORIE PART COMPONENTS

附件



18. 附件				
ACCESSORIE PART COMPONENTS				
序号 NO.	图号 Part No.	描述	Description	数量
1	10010377	梭心	BOBBINS	1
2	10010994	大螺丝刀	SCREW DRIVER, LARGE	1
3	10010995	中螺丝刀	SCREW DRIVER, MIDDLE	1
4	10013185	小螺丝刀	SCREW DRIVER, SMALL	1
5	10004466	机头连接钩部件	HINGE COMPL	3
6	10001242	垫板	SPACER	1
7	10006286	机头连接钩座	RUBBER CUSHION	3
8	10013113	油盘支座	FRAME BUBBER CUSHION	2
9	10003889	油盘座钉	NAIL	8
10	10003366	机针	NEEDLE	1
11	10013101	机头连接钩座钉	WASHER	2
12	10012631	抬压脚顶杆	KNEE LIFTER PRESSER ROD	1
13	10004971	机头塑料膜	VINYL COVER	1
14		合格证部件	EC PRODUCTION DECLARATION	
15	10004455	油箱	DEFRIX OIL NO. 1	1
16	10002512	推板垫圈	SPACER	1
17	10001177	机头罩	ACCESSORIE BAG	1
18	10009683	内六角扳手	WRENCH	1
19	10009686	内六角扳手	WRENCH	1
20	10013294	小油壶	OILER ASM	1
21	10009685	内六角扳手	HEXAGONAL WRENCH KEY	3

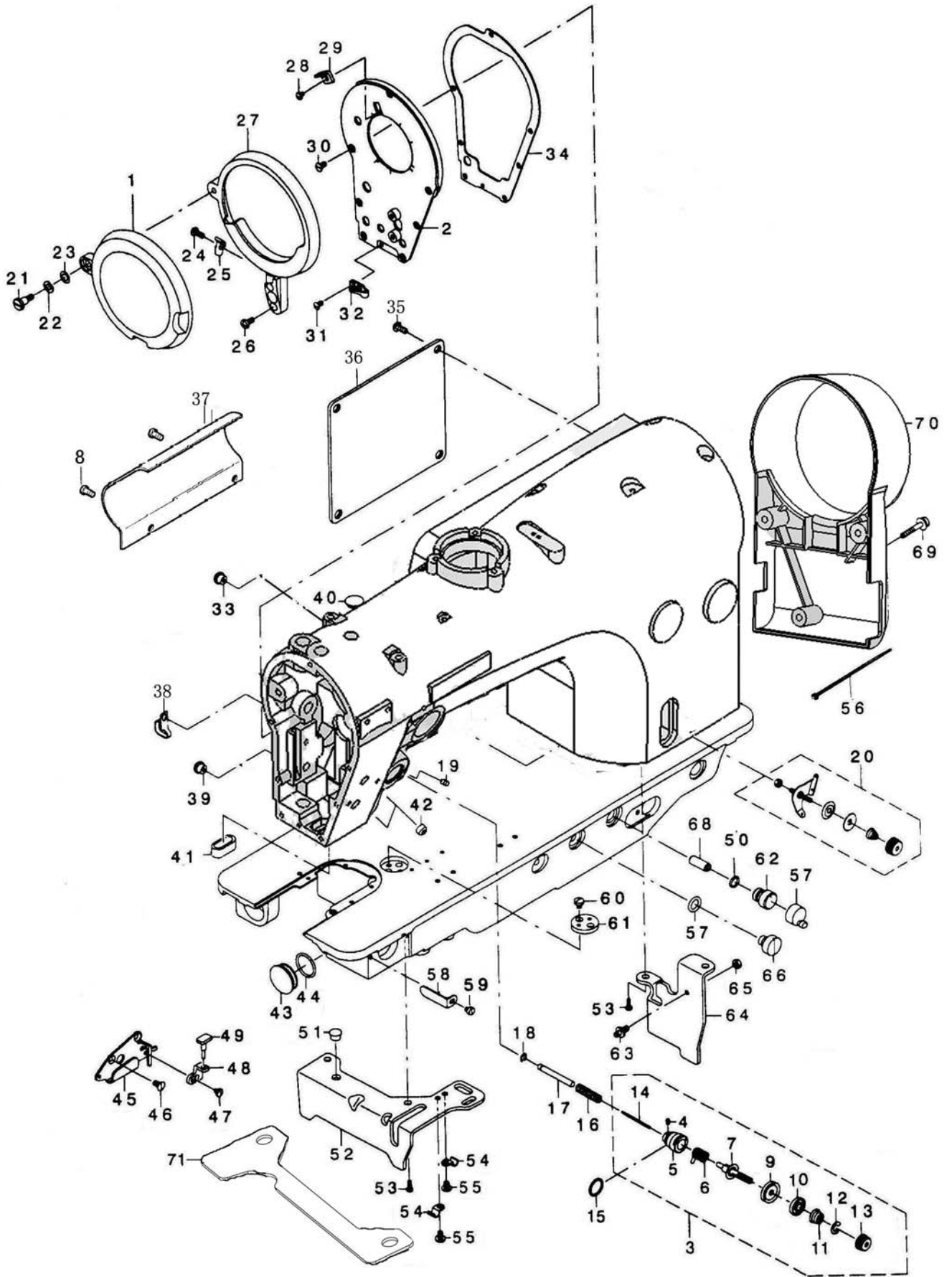
CONTENTS

目录

1. FRAME & MISCELLANEOUS COVER COMPONENTS I	01
机体部件 I	
2. FRAME & MISCELLANEOUS COVER COMPONENTS II	04
机体部件 II	
3. MAIN SHAFT & THREAD TAKE-UP & NEEDLE BAR COMPONENTS.....	07
挑线刺布部件	
4. NEEDLE VIBRATOR COMPONENTS.....	10
摆针部件	
5. HAND LIFTER COMPONENTS.....	12
抬压脚部件	
6. FEED MECHANISM COMPONENTS I	14
送料部件 I	
7. FEED MECHANISM COMPONENTS II	16
送料部件 II	
8. HOOK DRIVING SHAFT COMPONENTS I	18
下轴部件 I	
9. HOOK DRIVING SHAFT COMPONENTS II	20
下轴部件 II	
10. THREAD TRIMMER MECHANISM COMPONENTS.....	22
切刀部件.	
11. AUTOMATIC REVERSE FEED MECHANISM COMPONENTS.....	24
自动倒送料部件	
12. THREAD FEEDER COMPONENTS.....	26
挑线部件	
13. THREAD RELEASE SOLENOID COMPONENTS.....	28
松线及倒缝按钮部件	
14. LUBRICATION COMPONENTS.....	30
油路部件	
15. WIPER MECHANISM COMPONENTS.....	33
拨线部件	
16. UNDER COVER COMPONENTS.....	35
膝提部件	
17. THREAD STAND COMPONENTS.....	37
二线架部件	
18. ACCESSORIE PART COMPONENTS.....	38
附件	

1. 机体部件 I

FRAME & MISCELLANEOUS COVER COMPONENTS I

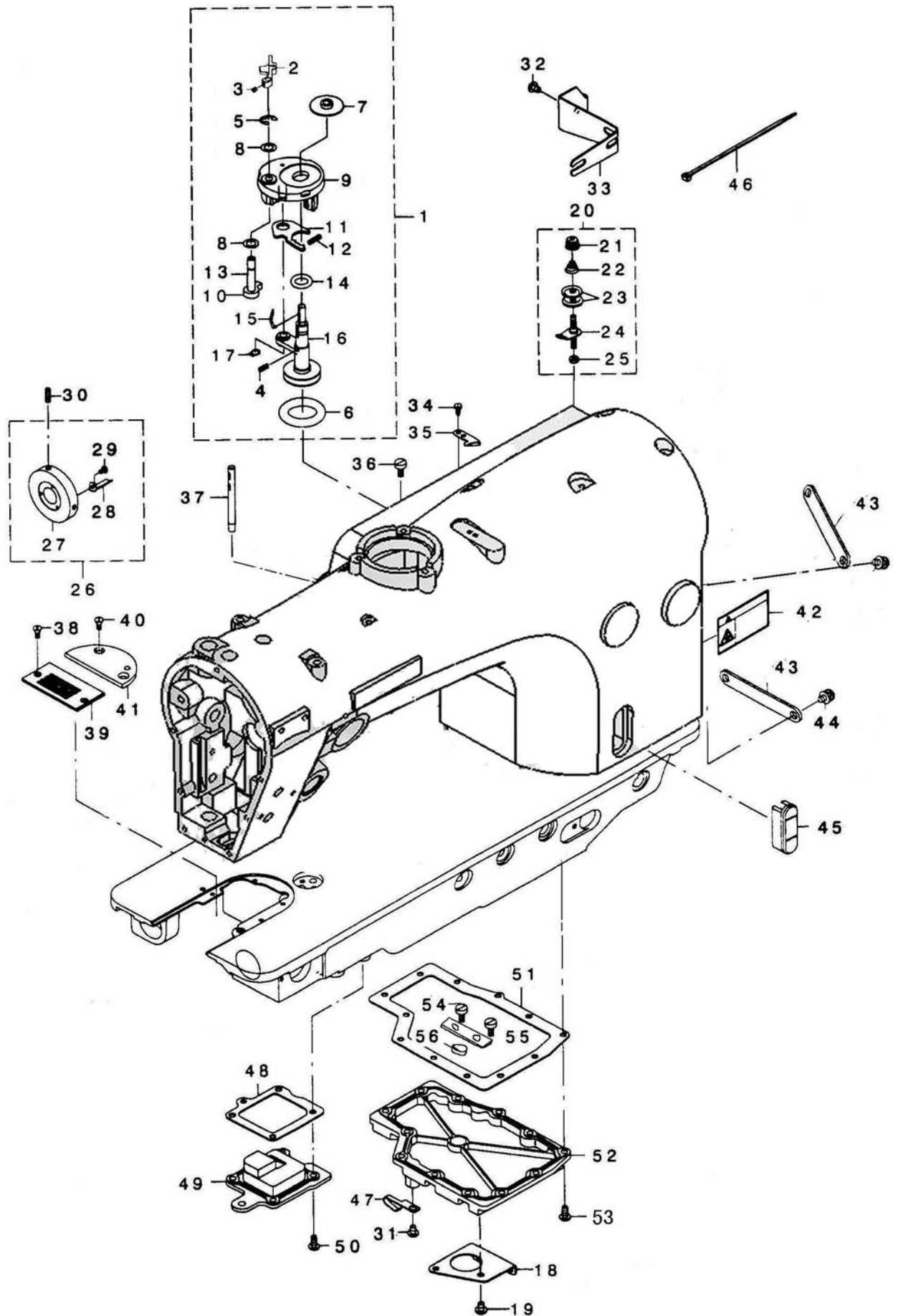


1. 机体部件 I				
FRAME&MISCELLANEOUS COVER COMPONENTS I				
序号 NO.	件号 Part No.	描述	Description	数量
1	20003377	挑线盘防护罩组件	BALANCE COVER	1
2	10000122	面板组件	FACE PLATE COMPL.	1
3	10000657	夹线器组件	THREAD TENSION ASM.	1
4	10004200	夹线螺钉紧固螺钉	SCREW	1
5	10000120	夹线器座	THREAD TENSION ROD BASE ASM.	1
6	10000115	挑线簧	TAKE-UP SPRING	1
7	10000123	螺钉	THREAD TENSION ROD COMPL.	1
8	10001281	螺钉	SCREW	2
9	10000154	过线盘焊接	THREAD TENSION DISK COMPL.	1
10	10000116	松线板	TENSION DISC HOLDER	1
11	10000659	夹线簧	TENSION SPRING	1
12	10004090	垫圈	ROTATION STOPPER	1
13	10004178	螺母	THREAD TENSION NUT	1
14	10000660	松线钉	THREAD RELEASE PIN	1
15	10000088	夹线器O形圈	RUBBER RING	1
16	10000087	松线杆复位弹簧	THREAD RELEASE PIN SPRING	1
17	10000105	松线杆	THREAD RELEASE AUXILIARY PIN	1
18	10009653	挡圈	E-RING	1
19	10002434	螺钉	SCREW	1
20	10000131	中过线器组件	PRE-TENSION CONTROLLER ASM.	1
21	10000107	螺钉	HINGE SCREW	1
22	10000106	护盖罩窗弹簧垫	WAVED WASHER	1
23	10000109	垫片	WASHER	1
24	10000098	螺钉	SCREW	1
25	10000083	护盖弹簧片	SPRING	1
26	10000099	螺钉	SCREW	1
27	20003377	挑线盘防护盖	BALANCE COVER BASE	1
28	10009743	螺钉	SCREW	1
29	10000108	面板刀片	TAKE-UP THREAD CUTTER	1
30	10000101	螺钉	SCREW	7
31	10009890	螺钉	SCREW	1
32	10000102	导线架	SPRING GUARD	1
33	10000091	左侧小油塞	RUBBER PLUG	1
34	10000103	面板垫	FACE PLATE PACKING	1
35	10001281	螺钉	SCREW	6
36	20003368	后盖板	SIDE PLATE	1
37	20003367	电线压盖	CONNECTING ROD	1
38	10000092	小线夹	UPPER SHAFT FRONT METAL OIL WIRE HOLDER	1
39	10000090	摆动架销油塞	RUBBER PLUG	1
40	10011099	顶油塞	RUBBER PLUG	3
41	10000089	摆动架槽框	ARM OIL SHIELD	1
42	10000086	油塞	DRIVING STOPPER RUBBER	2
43	10000095	旋梭箱铜塞	GEAR BOX CAP	1
44	10000189	铜塞O形圈	RUBBER RING	1
45	10000084	过线板	BALANCE THREAD GUIDE	1
46	10000101	螺钉	SCREW	2

47	10021329	螺钉	SCREW	1
48	10000104	挑线簧定位板	SPRING GUARD	1
49	10000645	挑线簧定位橡胶	RUBBER STOPPER	1
50	10012139	透气阀O形圈	RUBBER RING	1
51	10000076	前支脚油塞	RUBBER PLUG	1
52	10000078	前支脚	BED SUPPORT PLATE A	1
53	10000077	螺钉	SCREW	2
54	10000082	前支脚油线夹	OIL RETURN TUBE HOLDER	1
55	10000098	螺钉	SCREW	1
56		电线自锁夹	CABLE BAND	1
57	10001281	橡胶盖	ARD-DISCHARGING CAP	1
58	10000096	铜塞固定板	GEAR BOX CAP PRESSER	1
59	10000097	螺钉	SCREW	1
60	10004374	螺钉	SCREW	2
61	10004373	限位挡板	RULER STOP SEAT	1
62	10026384	透气阀	AIR-DISCHARGING	1
63	10000110	复位螺钉	SCREW	1
64	10000700	后支脚	BED SUPPORT PLATE B	1
65	10000100	复位螺母	NUT	1
66	10000075	螺钉	SCREW	1
67	10000079	齿轮箱密封O形圈	RUBBER RING	1
68	10021559	透气阀弹簧销	CABLE BAND	1
69	10000157	螺钉	SCREW	5
70	20003963	后罩	PULLEY COVER	1
71	10000080	前支脚垫	BED SUPPORT PLATE PACKING	1

2. 机体部件 II

FRAME & MISCELLANEOUS COVER COMPONENTS II

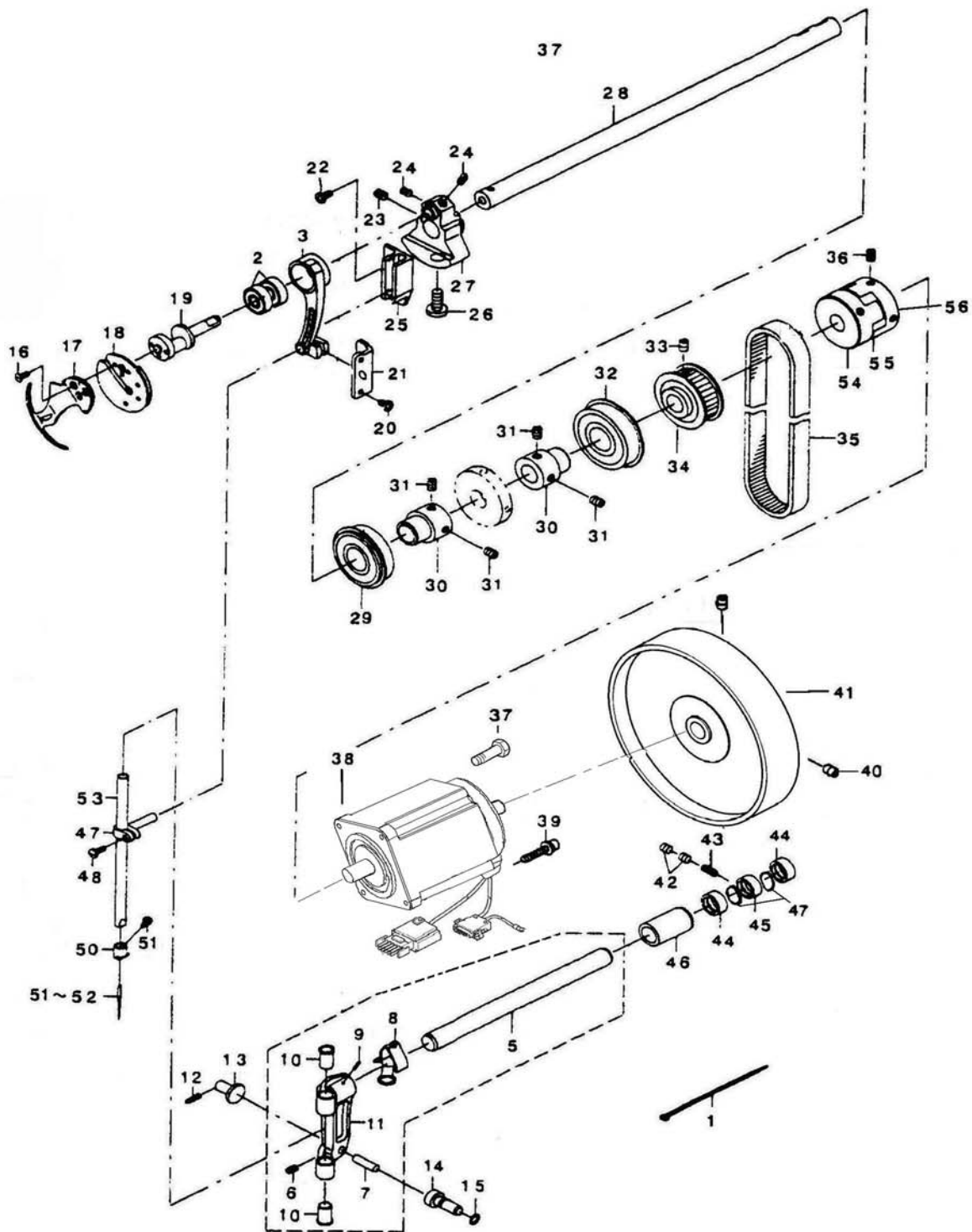


2. 机体部件 II				
FRAME&MISCELLANEOUS COVER COMPONENTS II				
序号 NO.	图号 Part No.	描述	Description	数量
1	10000129	绕线器	BOBBIN DEVICE ASM.	1
2	10000735	卷线手柄	BOBBIN LEVER	1
3	10004494	螺钉	SCREW	1
4	10004494	复位短弹簧	PRESSUR FOOT SPRING	1
5	10009669	绕线器绕线凸轮轴挡圈	E-RING	1
6	10008773	橡胶轮	RING	1
7	10004498	卷绕轴垫	CUSHION	1
8	10004486	薄垫片	WASHER	1
9	10011096	梭心卷绕体组件	BOBBIN FITTING BASIS COMPL.	1
10	10006151	绕线定位块	BOBBIN CAM SHAFT COMPL.	11
11	10004497	控制板	ASJUSTING PLATE	1
12	10004501	复位长弹簧	SPRING	1
13	10006152	绕线凸轮轴	BOBBIN CAM SHAFT COMPL.	1
14	10006152	卷绕轴O形圈	RUBBER RING	1
15	10009937	锁芯弹簧	LATCH SPRING	1
16	10000151	梭芯卷绕轴	BOBBIN WINDER SHAFT COMPL.	1
17	10006142	绕线器摆动板轴挡圈	RETAINING RING	1
18	10007459	油箱大油线架	PIPE GUIDE PLATE	1
19	10000149	油箱大油线架螺钉	SCREW	1
20	10013064	绕线夹线器	BOBBIN THREAD TENSION ASM.	1
21	10004390	塑料夹线螺母	THREAD TENSION NUT	1
22	10004391	夹线簧	THREAD TENSION SPRING	1
23	10004393	夹线板	BOBBIN WINDER TENSION DISC	2
24	10004504	中过线板组件	BOBBIN THREAD TENSION ROD ASM.	1
25	10004507	夹线螺母	NUT	1
26	10000164	绕线器主动轮组件	BOBBIN DRIVING WHEEL ASM.	1
27	10000172	绕线主动轮	BOBBIN DRIVING WHEEL	1
28	10000153	主动轮支脚	BOBBIN DRIVING WHEEL BLADE	3
29	10000173	支脚螺钉	SCREW	3
30	10011223	绕线轮紧固螺钉	SCREW	2
31	10000098	油箱小油线架螺钉	SCREW	1
32	10000148	油线架螺钉	SCREW	1
33	10000146	油线架	HEAD LUBRICATION PIPE STOPPER	1
34	10000164	切刀螺钉	SCREW	2
35	10011149	绕线切刀	THREAD CUTTER	1
36	10000149	绕线器螺钉	SCREW	3
37	10000167	两眼过线柱	SAFETY SWITCH ARM	1
38	10009890	针板螺钉	SCREW	2
39	10000166	针板	NEEDLE PLATE	1
40	10009890	针板内盖板螺钉	SCREW	2
41	10000165	针板内盖板	BED PLATE	1
42	10008936	安全提示牌	SAFETY LABEL. (SMALL)	1
43	10000150	电线压板	CONNECTING ROD	2
44	10000152	压板滚压螺钉	SCREW	4
45	10008772	油标窗	OIL SIGHT WINDOW	1
46		电线自锁夹	CABLE BAND 150	1

47	10000082	前支脚油线夹	LUBRICATING OIL WICK STOPPER	1
48	10000168	旋梭齿轮箱盖垫	GEAR BOX (SMALL) PACKING	1
49	10000125	旋梭齿轮箱盖	GEAR BOX (SMALL) COVER	1
50	10000098	旋梭齿轮箱盖螺钉	SCREW	4
51	10001242	油箱盖垫	GEAR BOX (LARGE) PACKING	1
52	10000126	油箱盖	GEAR BOX (LARGE) COVER	1
53	10001281	油箱盖螺钉	SCREW	12

3. 挑线刺布部件

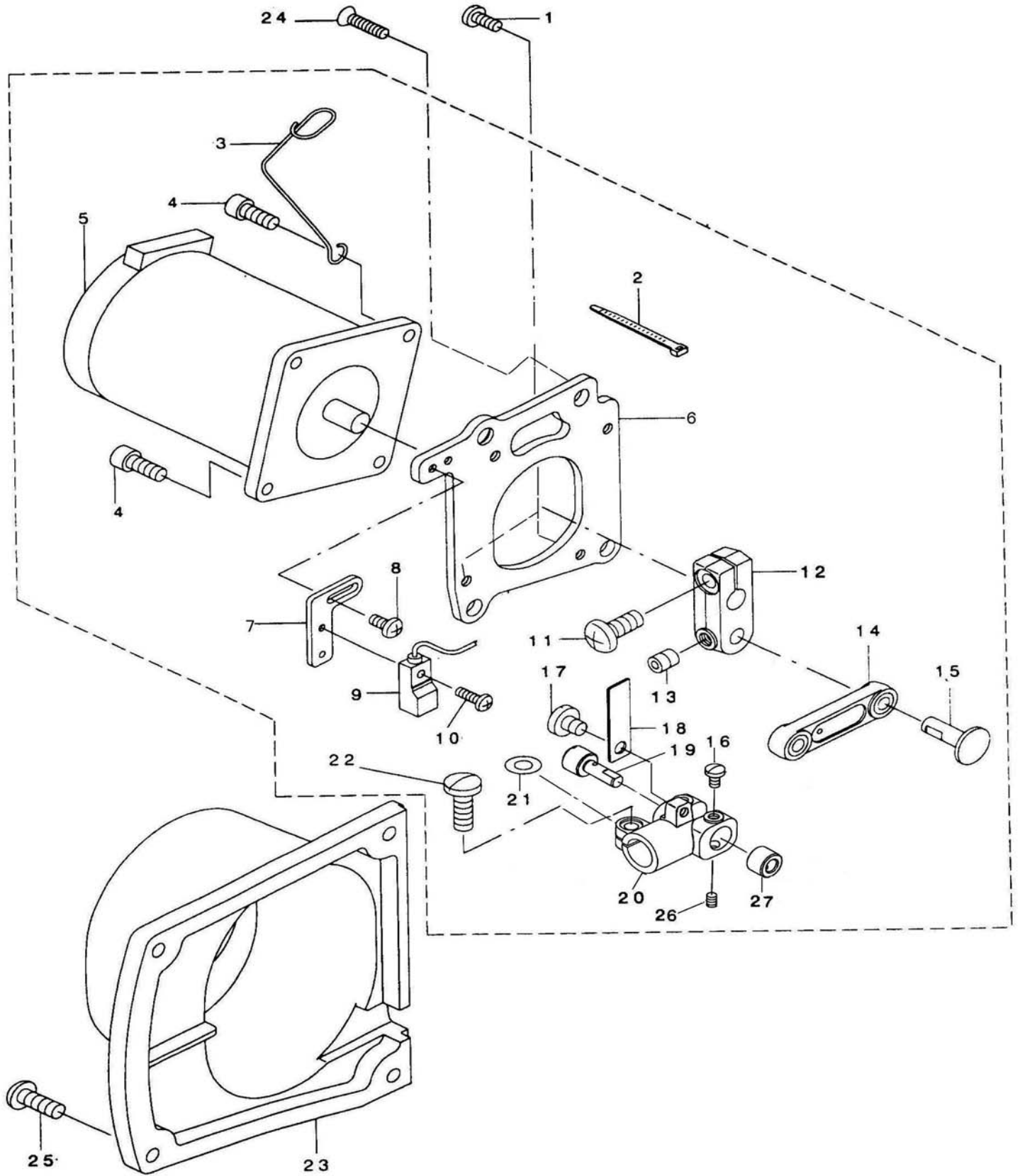
MAIN SHAFT & THREAD TAKE-UP & NEEDLE BAR COMPONENTS



3. 挑线刺布部件				
MAIN SHAFT&THREAD TAKE-UP&NEEDLE BAR COMPONENTS				
序号 NO.	图号 Part No.	描述	Description	数量
1		电线自锁夹	CABLE BAND	1
2	10003586	针杆连杆轴承	BUSHING	2
3	10000310	针杆连杆	NEEDLE ROD CRANK ROD	1
4	10000230	针杆摆动架组件	NEEDLE ROD SUPPORT BASE ASM.	1
5	10000227	针杆摆动架轴	NEEDLE ROD SUPPORT BASE SHAFT	1
6	10000205	螺钉	SCREW	1
7	10000204	针杆摆动架销	SUPPORT BASE GUIDE SHAFT	1
8	10000306	摆动架毛毡	NEEDLE ROD SUPPORT BASE FELT	1
9	10003469	针杆摆动架开口销	SPRING PIN	1
10	10000228	针杆轴套	NEEDLE ROD METAL	2
11	10000227	针杆摆动架	NEEDLE ROD SUPPORT BASE	1
12	10000320	螺钉	SCREW	1
13	10000647	摆动架左定位销	SUPPORT BASE GUIDE PIN B	1
14	10000646	摆动架右定位销	SUPPORT BASE GUIDE PIN A	1
15	10000321	摆动架右定位销O型圈	RUBBER RING	1
16	10009890	螺钉	SCREW	3
17	10000337	旋转挑线盘	BALANCE V	1
18	10000232	旋转挑线盘座组件	TAKE-UP COUNTERWEIGHT ASM.	1
19	10008538	挑线曲柄	NEEDLE ROD CRANK	1
20	10010210	螺钉	SCREW	2
21	10000319	小连杆导板	NEEDLE ROD CRANK ROD GUIDE	1
22	10000264	螺钉	SCREW	2
23	10000312	螺钉	SCREW	1
24	10005020	螺钉	SCREW	2
25	10000307	针杆连接柱导轨	NEEDLE ROD HOLDER GUIDE	1
26	10010545	螺钉	SCREW	1
27	10000311	针杆曲柄	COUNTER WEIGHT	1
28	10000315	上轴	UPPER SHAFT	1
29	10025881	上轴前轴承	BEARING	1
30	10000313	上轴轴承挡圈	MAIN SHAFT BEARING SUPPORT	1
31	10000314	螺钉	SCREW	2
32	10003603	轴承	BEARING	1
33	10000314	螺钉	SCREW	2
34	10000648	上轴带轮	UPPER SHAFT SPROCKET	1
35	10000316	同步齿形带	TIMING BELT	1
36	10000314	螺钉	SCREW	4
37	10000233	螺钉	SCREW	1
38	10022370	上轴电机	MOTOR A ASM.	1
39	10000233	上轴电机螺钉组件	SCREW	4
40	10000314	螺钉	SCREW	2
41	20004078	上轮	HAND WHEEL	1
42	10000318	螺钉	SCREW	2
43	10000317	弹簧	SPRING	1
44	10000205	摆动架后外套	SUPPORT BASE SHAFT FRONT METAL	2
45	10000306	摆动架后中套	SUPPORT BASE SHAFT REAR METAL	1
46	10000204	针杆摆动架前套	SUPPORT BASE SHAFT FRONT METAL	1

47	10000203	摆动架套垫圈		2
48	10000309	针杆连接柱	NEEDLE BAR CONNECTION	1
49	10010018	螺钉	SCREW	1
50	10000322	针杆线钩	THRED RACK. RIGHT	1
51	10010588	螺钉	SCREW	1
51	10003366	机针(薄料用)	NEEDLE (DPx5 #10)	1
52	10004858	机针(厚料用)	NEEDLE (DPX5#14)	1
53	10000203	针杆	NEEDLE ROD	1
54	10000868	上轴连接前块	NEEDLE ROD CRANK	1
55	10011227	上轴传动连接胶块	RUBBER	1
56	10000838	上轴传动连接后块	COUPLING	1

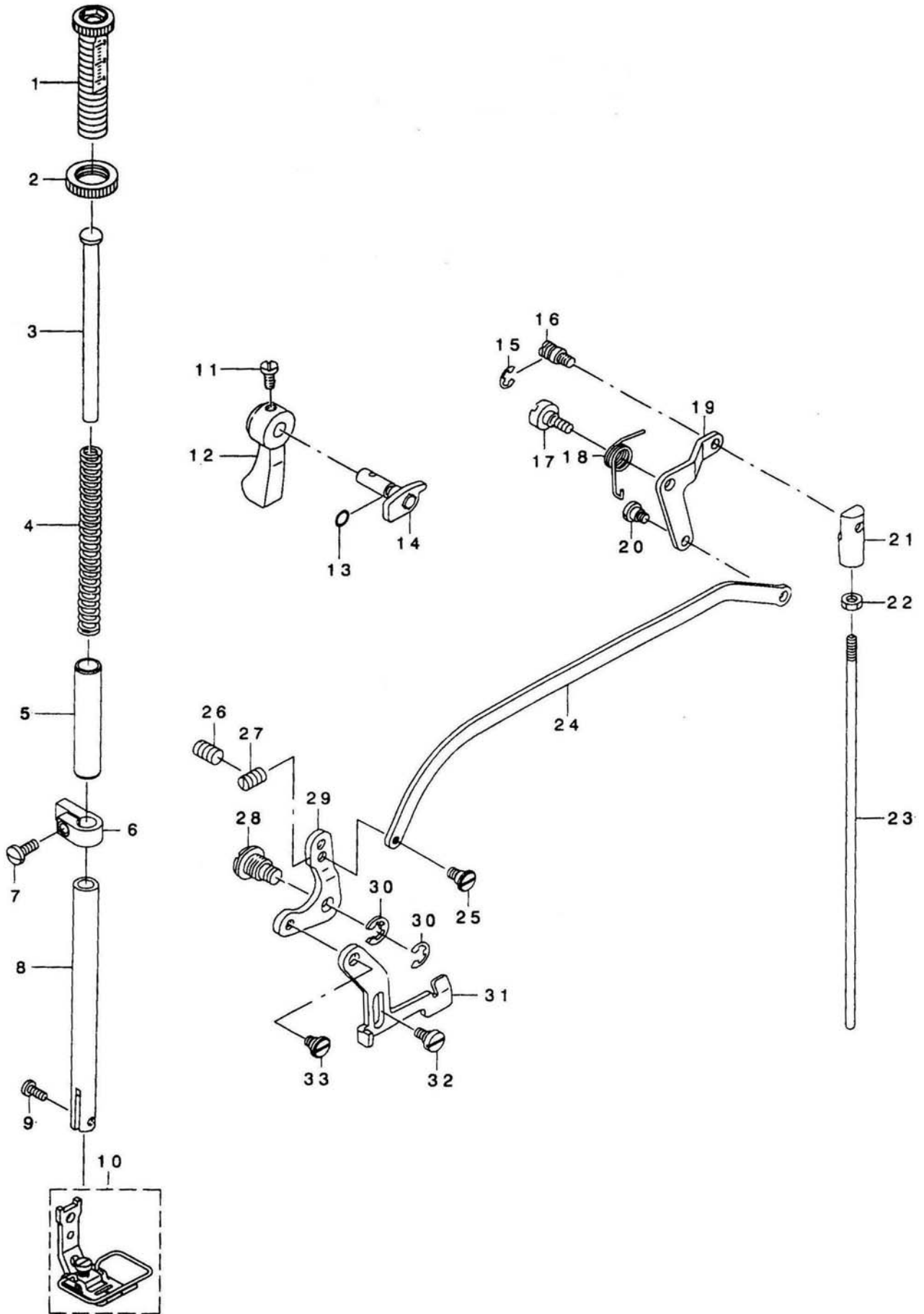
4. 摆针部件
NEENLE VIBRATOR COMPONENTS



4. 摆针部件				
NEEDLE VIBRATOR COMPONENTS				
序号 NO.	图号 Part No.	描述	Description	数量
1	10000341	螺钉	SCREW	2
2		电线自锁夹	CABLE BAND	1
3	10000343	电线定位弹簧	CORD CLAMP	1
4	10000348	螺钉	SCREW	4
5	10024500	步进电机	PULSE MOTOR	1
6	10025488	步进电机安装板	NEEDLE VIBRATOR UNIT BASIS	1
7	10000344	步进电机感应器安装板	SENSOR FITTING PLATE	1
8	10000345	螺钉	SCREW	2
9	10003734	步进电机感应器	ZERO SENSOR A ASM.	1
10	10003060	螺钉	SCREW	1
11	10008776	螺钉	SCREW	1
12	10024828	摆动架驱动块	MOTOR LINK	1
13	10008775	螺钉	SCREW	1
14	10000681	摆动架连杆组件	SHAFT CONNECTION LINK ASM.	1
15	10000640	摆动架连杆销	NEEDLE VIBRATOR JUNCTION ROD	1
16	10009906	螺钉	SCREW	2
17	10000513	螺钉	SCREW	1
18	10003265	感应器挡板	SENSOR SLIT	1
19	10000683	摆动架连杆轴	SHAFT CONNECTION PIN	1
20	10000682	摆动架连接座	SUPPORT BASE SHAFT CONNECTION	1
21	10009469	垫片	WASHER	1
22	10000347	螺钉	SCREW	1
23	20003396	步进电机罩	NEEDLE VIBRATOR UNIT COVER	1
24	10000340	螺钉	SCREW	2
25	10000512	螺钉	SCREW	4
26	10009873	螺钉	SCREW	1
27	10000684	摆动架连杆轴套	SHAFT CONNECTION BUSH	1

5. 抬压脚部件

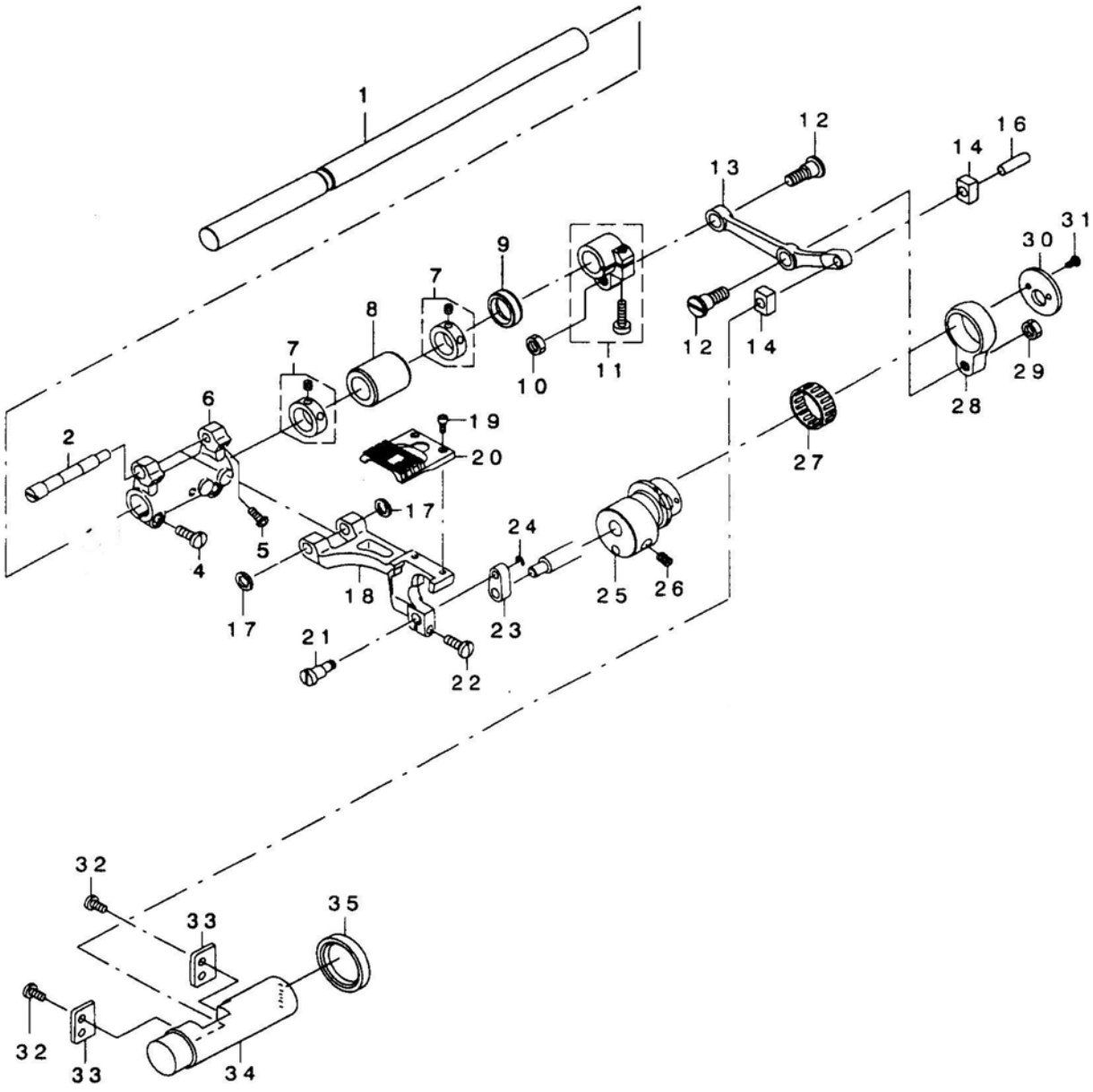
HAND LIFTER COMPONENTS



5. 抬压脚部件				
HAND LIFTER COMPONENTS				
序号 NO.	图号 Part No.	描述	Description	数量
1	10013325	调压螺钉	PRESSER SPRING REGULATOR	1
2	10011023	调压螺母	NUT	1
3	10004439	调压导杆	PRESSER GUIDE BAR	1
4	10004505	调压弹簧	PRESSER SPRING REGULATOR	1
5	10027072	压杆轴套	BUSHING	1
6	10000244	压杆导架	SCREW	1
7	10013647	压杆导架螺钉	PRESSER BAR GUIDE BRACKET	1
8	10026790	压杆	PRESSER BAR GUIDE BRACKET	1
9	10010018	压脚螺钉	SCREW	1
10	10000726	活压脚部件	PRESSER FOOT ASM.	1
11	10010016	压脚扳手螺钉组件	SCREW	1
12	10011064	压脚扳手	HAND LIFTER	1
13	10010027	O形圈	RUBBER RING	1
14	10002388	压脚扳手组件	HAND LIFTER CAM COMPL.	1
15	10013038	杠杆接头卡簧	E-RING	1
16	10001099	杠杆接头螺钉	CONNECTING ROD HINGE SCREW	1
17	10000238	抬压脚后杠杆螺钉	KNEE LIFTING LINK STEP-SCREW	1
18	10000239	抬压脚后杠杆复位弹簧	KNEE LIFTING LINK SPRING	1
19	10000240	抬压脚后杠杆	KNEE LIFTING LINK SPRING	1
20	10000599	抬压脚后杠杆销	HINGE SCREW	1
21	10000241	抬压脚顶杆接头	SWIVEL	1
22	10000242	顶杆螺母	NUT	1
23	10000243	顶杆	KNEE LIFTING JUNCTION ROD	1
24	10000598	抬压脚拉杆	KNEE LIFTING SIDE ROD LINK	1
25	10000248	抬压脚拉杆螺钉	HINGE SCREW	1
26	10005983	紧定螺钉	SCREW	1
27	10002828	限位螺钉	SCREW	1
28	10000246	前杠杆吊紧螺钉	HINGE PIN	1
29	10000247	抬压脚前杠杆	LIFTING LEVER LINK	1
30	10009654	螺纹销开口挡圈	SNAP RING	2
31	10002826	抬压脚升降板	LIFTING LEVER	1
32	10002827	升降板下螺钉	HINGE SCREW	1
33	10000245	升降板上螺钉	HINGE SCREW	1

6.送料部件 I

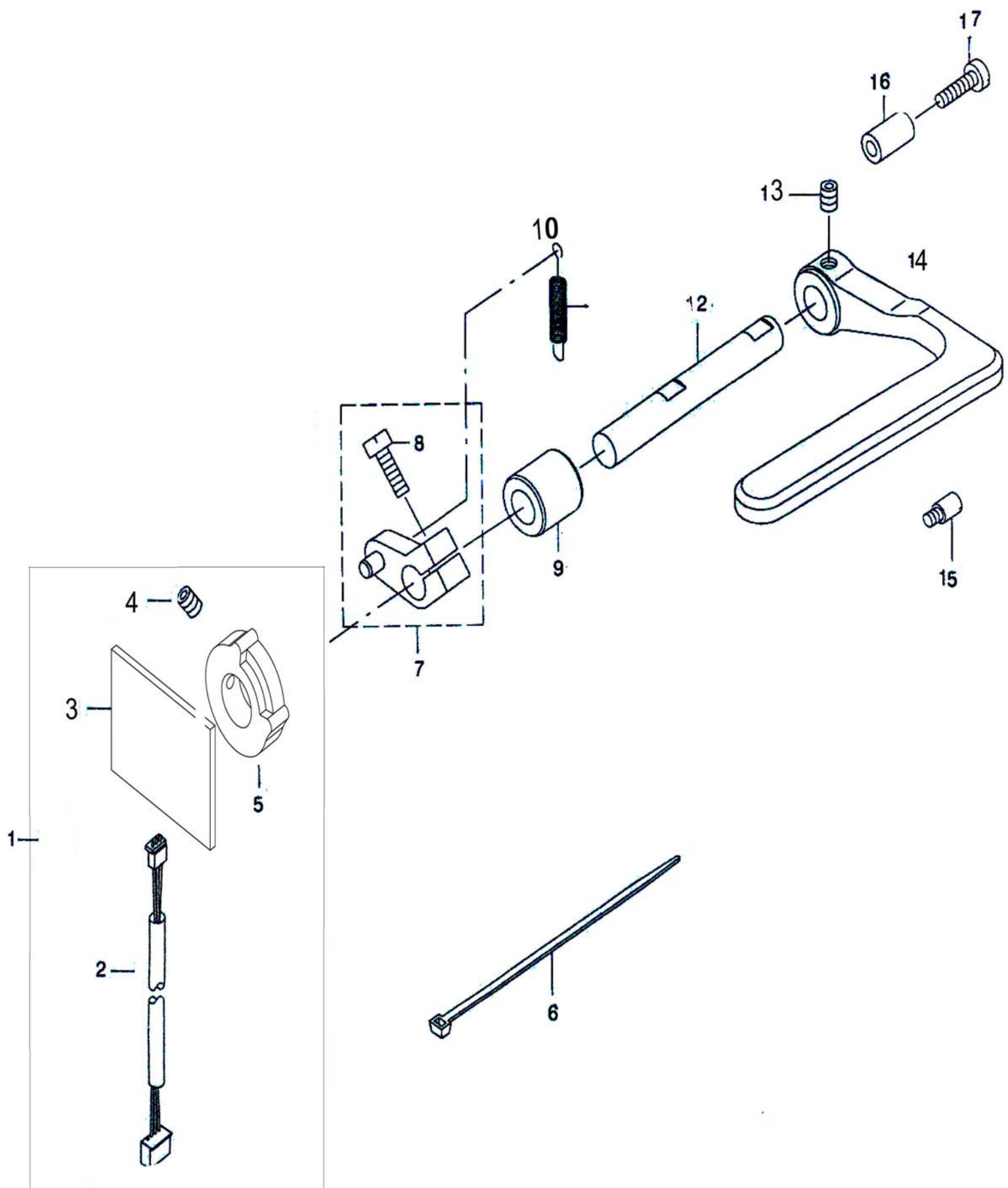
FEED MECHANISM COMPONENTS I



6. 送料部件 I				
FEED MECHANISM COMPONENTS I				
序号 NO.	图号 Part No.	描述	Description	数量
1	10000273	送料轴	HORIZONTAL FEED SHAFT	1
2	10000279	牙架销	FEED BASE SHAFT	1
3	10000077	限位板III螺钉	SCREW	2
4	10000347	牙架座螺钉	SCREW	2
5	10000148	拾牙销紧固螺钉	SCREW	2
6	10000278	牙架座	FEED ROCKER	1
7	10000272	送料轴挡圈	THRUST COLLAR ASM.	2
8	10012494	送料轴套筒	FEED ROCKER SHAFT METAL	1
9	10012536	送料轴油封	OIL SEAL	1
10	10004475	传动连杆曲柄螺母	NUT	1
11	10000272	送料曲柄	FEED ROCKER SHAFT CRANK ASM.	1
12	10000270	螺钉	SCREW	2
13	10000685	传动连杆曲柄	CONNECTING ROD	1
14	10003296	传动轴滑块	FEED DRIVING ROCKER BLOCK	2
16	10003295	传动连杆销	PIN	1
17	10010314	牙架销垫片	SPACER	2
18	10000282	牙架	FEED BASE SHAFT	1
19	10000406	送料牙螺钉	SCREW	2
20	10008164	送料牙	FEED DOG	1
21	10000281	拾牙销	LINK SHAFT	1
22	10000347	牙架紧固螺钉	SCREW	1
23	10000280	拾牙小连杆	LINK	1
24	10003248	拾牙销挡圈	E-RING	1
25	10000277	送料偏心凸轮	HORIZONTAL FEED CAM	1
26	10000268	偏心轮紧定螺钉	SCREW	2
27	10000603	滚针轴承	BEARING	1
28	10000288	送料偏心凸轮套	ROD	1
29	10004475	传动连杆曲柄螺母	NUT	1
30	10000602	送料偏心凸轮挡板	HORIZONTAL FEED CAM COVER	1
31	10000268	送料偏心凸轮挡板螺钉	SCREW	2
32	10000264	送料连接传动轴螺钉	SCREW	4
33	10000265	送料连接传动轴挡板	PLATE A	2
34	10000262	送料连接传动轴	FEED ADJUSTING	1
35	10007572	送料连接传动轴油封	FEED ADJUSTING OIL SEAL	1

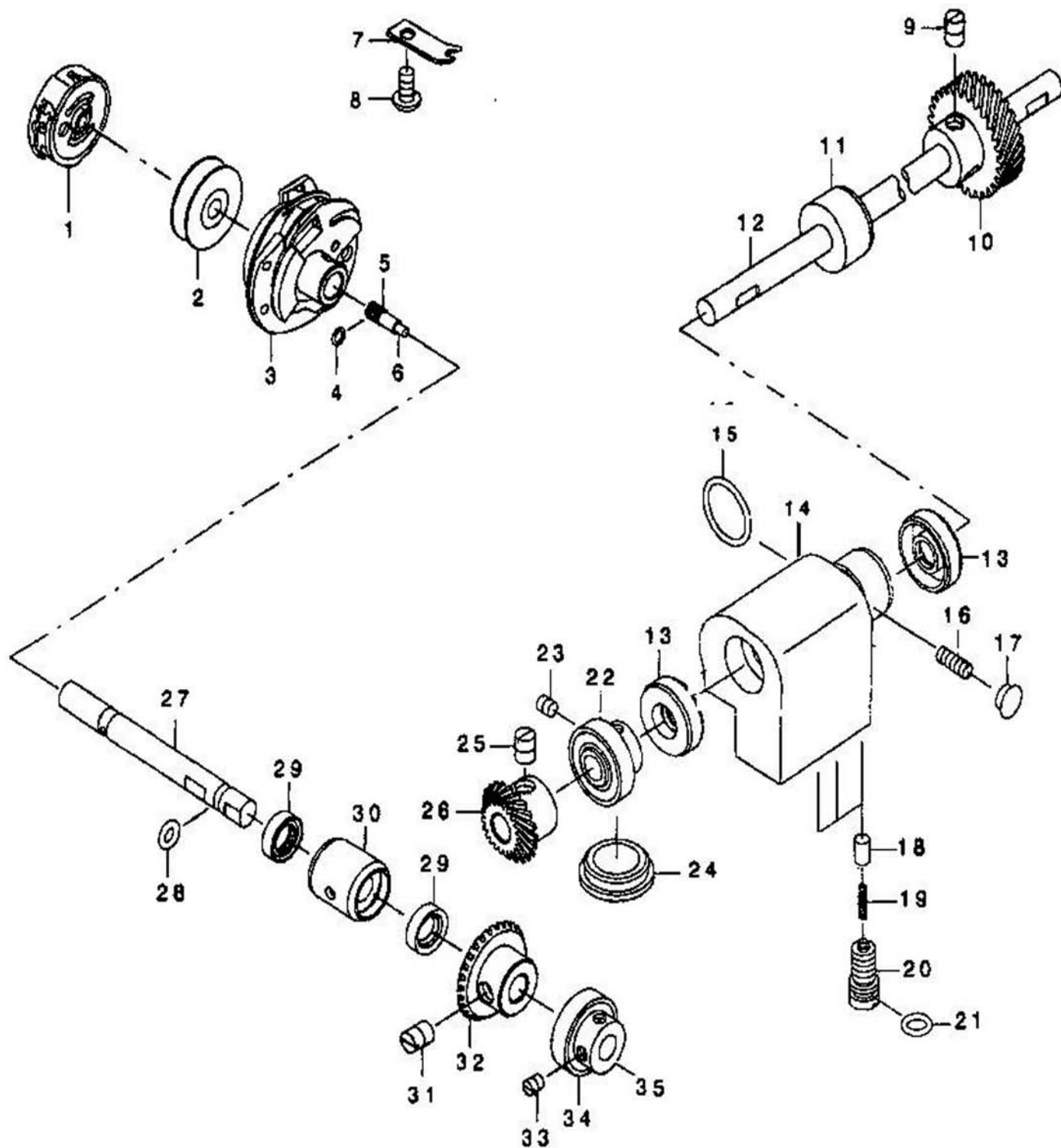
7.送料部件 II

FEED MECHANISM COMPONENTS II



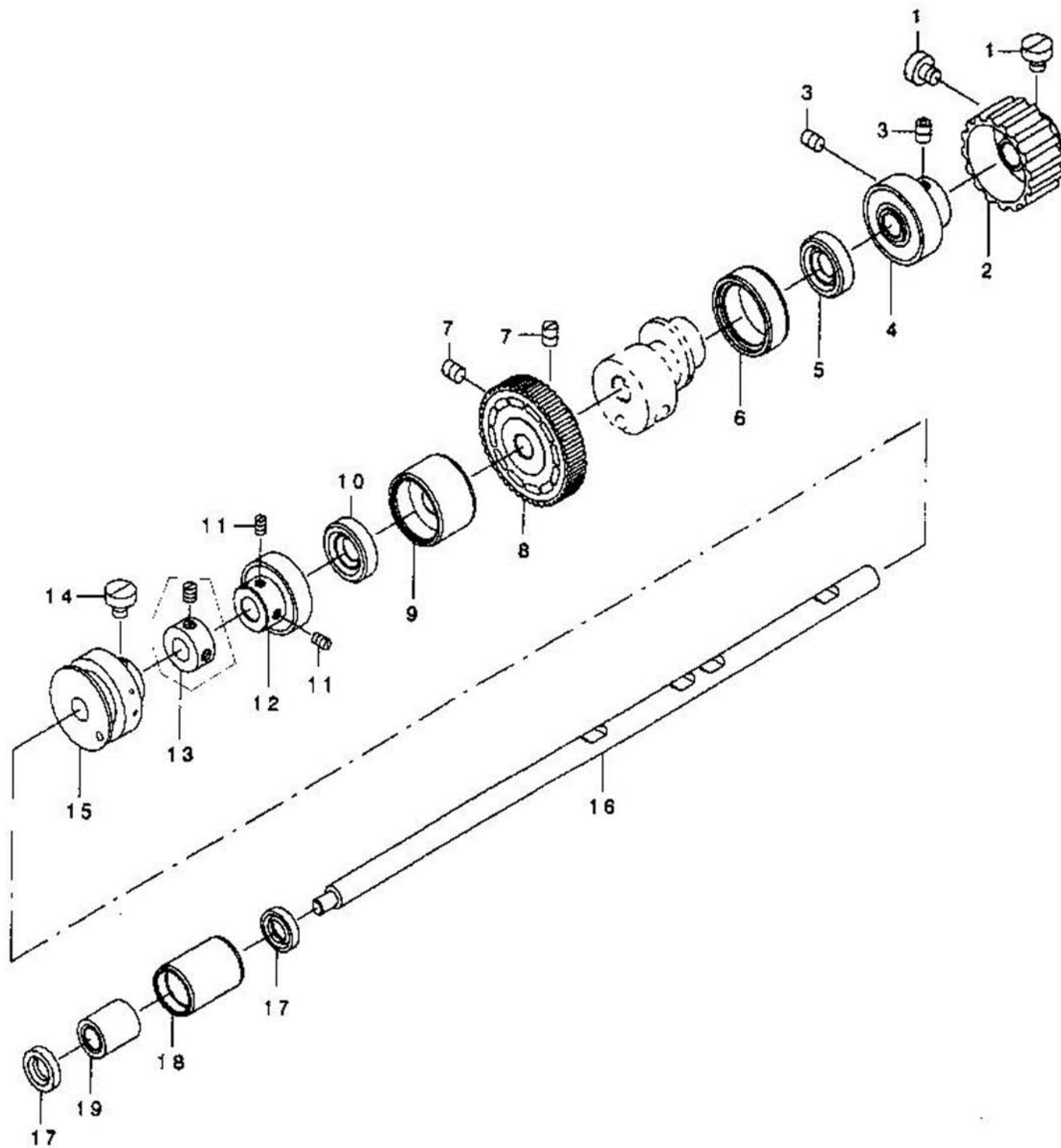
7. 送料部件 II				
FEED MECHANISM COMPONENTS II				
序号 NO.	图号 Part No.	描述	Description	数量
1		送布拨杆传感器组件	FEED WRENCH SENSOR COMPONENTS	1
2	10026359	送布拨杆传感器接线	FEED WRENCH SENSOR WRIE	1
3	10026223	送布拨杆传感器	FEED WRENCH SENSOR	1
4	10002853	螺钉	SCREW	1
5	10026535	倒缝扳手传感器电磁铁	FEED WRENCH SENSOR ELECTROMAGNET	1
6		电线自锁夹	CABLE BAND	1
7	20000150	倒缝曲柄组件	FEED CRANK	1
8	10010095	倒缝曲柄组件螺钉	SCREW	1
9	10000294	倒缝扳手轴套	WRENCH METAL	1
10	10000687	倒缝扳手复位弹簧	FEED SPRING	1
12	10000722	倒送料轴	FEED SHAFT	1
13	10009187	倒送料轴紧定螺钉	SCREW	1
14	20003390	倒送料扳手	FEED WRENCH	1
15	10000723	倒缝扳手下限位销	FEED DOWN LIMIT SHAFT	1

8. 下轴部件 I
HOOK DRIVING SHAFT COMPONENTS I



8. 下轴部件 I				
HOOK DRIVING SHAFT COMPONENTS I				
序号 NO.	图号 Part No.	描述	Description	数量
1	10003804	梭壳	BOBBIN CASE ASM.	1
2	10010377	梭心	BOBBINS	1
3	10003806	旋梭	HOOK COMPL. V	1
4	10000457	旋梭限油螺钉O形圈	RUBBER RING	1
5	10010029	旋梭限油螺钉	SCREW	1
6	10010063	下轴限油芯	OIL WICK	1
7	10000456	旋梭定位板	INNER HOOK STOPPER	1
8	10010066	旋梭定位板螺钉	SCREW	1
9	10003921	旋梭驱动轴圆柱斜齿轮螺钉	SCREW	2
10	10000462	旋梭驱动轴圆柱斜齿轮	HOOK DRIVING GEAR	1
11	10000461	旋梭驱动轴后轴套	HOOK DRIVING SHAFT REAR METAL	1
12	10000582	旋梭驱动轴	HOOK DRIVING SHAFT	1
13	10003797	旋梭驱动轴前轴套油封	HOOK DRIVING SHAFT OIL SEAL	2
14	10000583	油泵体组件	PUMP METAL	1
15	10000460	旋梭驱动轴前轴套O形圈	RUBBER RING	1
16	10000463	旋梭驱动轴前轴套调节螺钉	SCREW	1
17	10000091	左侧小油塞	PLUG	1
18	10002399	柱塞	PLUNGER	2
19	10014386	柱塞簧	RUBBER SPRING	2
20	10000464	柱塞螺钉	SCREW	2
21	10000465	柱塞螺钉O形圈	RUBBER RING	2
22	10026221	旋梭驱动轴轴承	HOOK SHAFT BEARING ASM.	1
23	10000459	旋梭驱动轴轴承挡圈螺钉	SCREW	2
24	10000616	旋梭驱动轴轴承油塞	RUBBER PLUG	1
25	10003921	旋梭驱动轴伞齿螺钉	SCREW	2
26	10010029	旋梭驱动轴伞齿轮	HOOK GEAR	1
27	10003436	旋梭轴	HOOK SHAFT	1
28	10003437	旋梭轴O形圈	RUBBER RING	1
29	10003797	旋梭轴轴套油封	HOOK SHAFT OIL SEAL	2
30	10000581	旋梭轴轴套	HOOK SHAFT FRONT METAL	1
31	10003921	旋梭轴伞齿轮螺钉	SCREW	2
32	10003937	旋梭轴伞齿轮	HOOK GEAR	1
33	10000459	旋梭轴轴承挡圈螺钉	SCREW	2
34	10026221	旋梭轴轴承	HOOK SHAFT BEARING ASM.	1
35	10000458	旋梭轴轴承挡圈	BEARING SUPPOTR	1

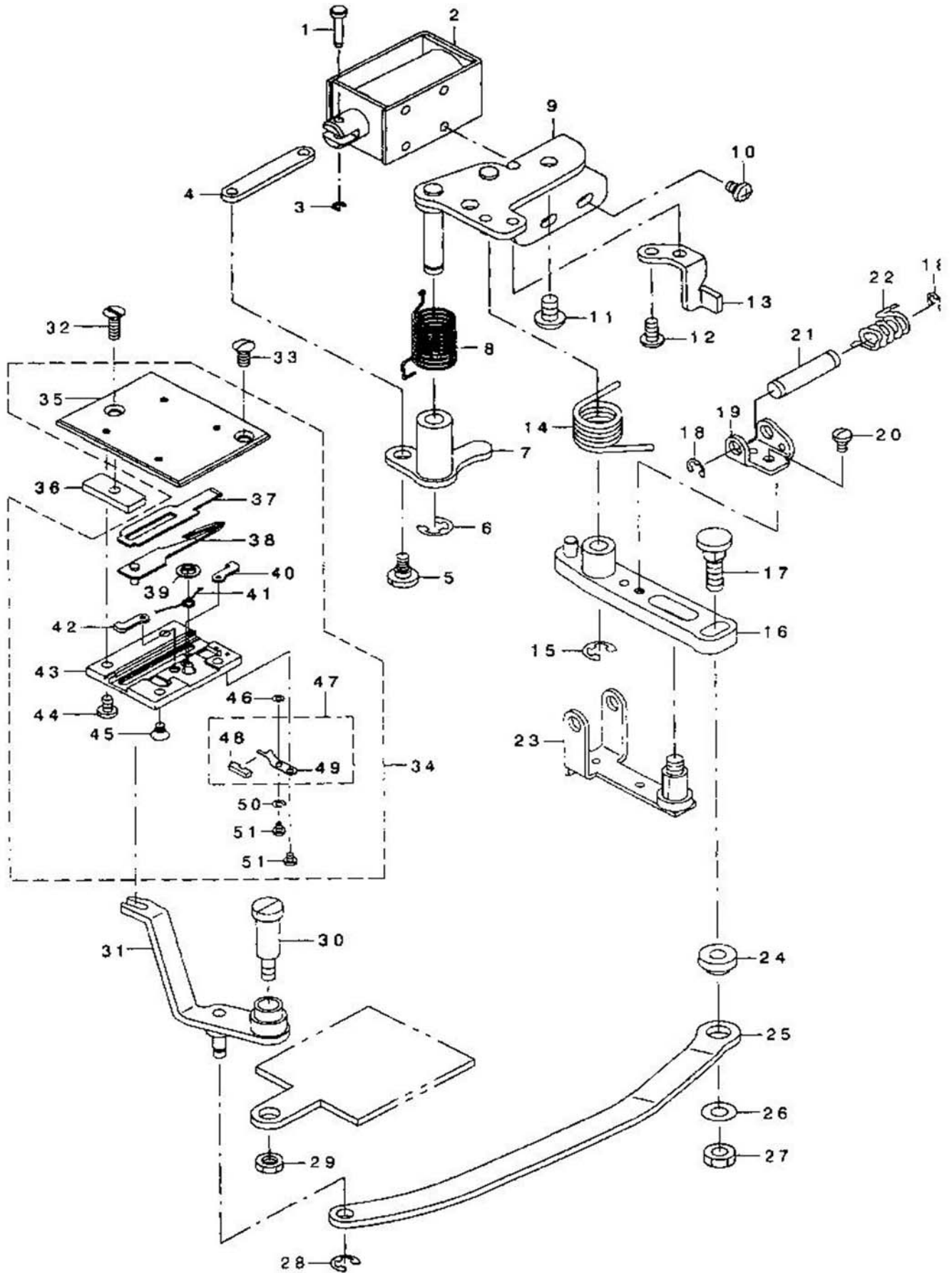
9. 下轴部件 II
HOOK DRIVING SHAFT COMPONENTS II



9. 下轴部件 II				
HOOK DRIVING SHAFT COMPONENTS II				
序号 NO.	图号 Part No.	描述	Description	数量
1	10000428	螺钉	SCREW	2
2	10003438	下轴带轮	LOWER SHAFT SPROCKET	1
3	10000314	下轴后轴承挡圈螺钉	SCREW	2
4	10003581	下轴后轴承	LOWER SHAFT REAR BEARING ASM.	1
5	10003791	下轴后轴套油封	OIL SEAL	1
6	10000426	下轴后轴套	LOWER SHAFT REAR BUSH	1
7	10003921	下轴斜齿轮螺钉	SCREW	2
8	10000427	下轴斜齿轮	HOOK DRIVING GEAR	1
9	10000425	下轴中轴套	LOWER SHAFT INNER METAL	1
10	10003791	下轴中轴套油封	OIL SEAL	1
11	10013590	下轴中轴承挡圈螺钉	SCREW	2
12	10009778	下轴中轴承	LOWER SHAFT INNER BEARING ASM.	1
13	10000378	下轴挡圈	THRUST COLLAR ASM.	1
14	10000428	剪线凸轮紧固螺钉	SCREW	2
15	10000431	剪线凸轮	THREAD TRIMMER CAM	1
16	10000430	下轴	LOWER SHAFT	1
17	10007409	下轴前轴套油封	OIL SEAL	2
18	10000432	下轴前轴套	LOWER SHAFT FRONT BEARING BUSH	1
19	10003608	下轴前轴承	BEARING A 10	1

10. 切刀部件

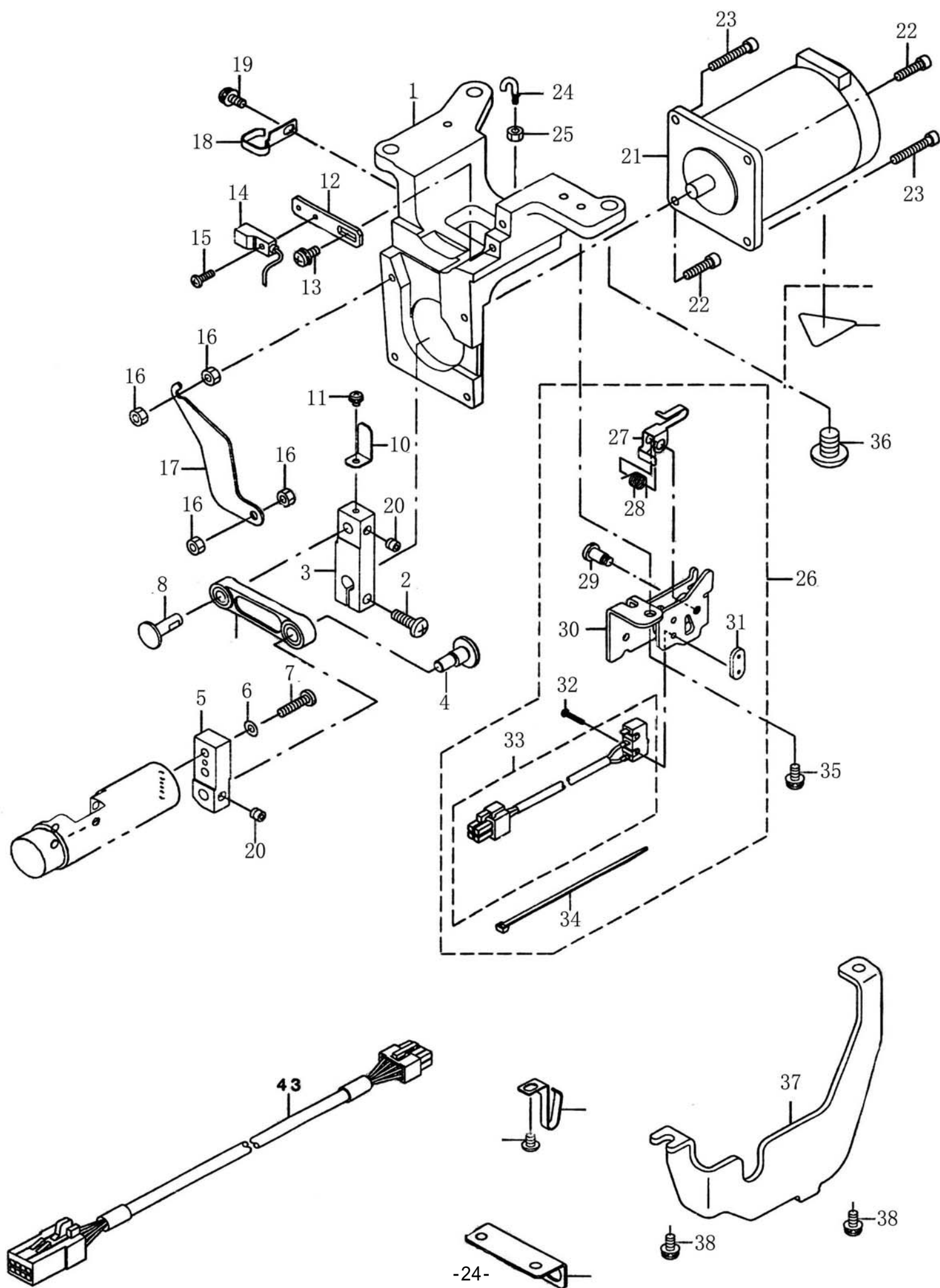
THREAD TRIMMER MECHANISM COMPONENTS



10. 切刀部件				
THREAD TRIMMER MECHANISM COMPONENTS				
序号 NO.	图号 Part No.	描述	Description	数量
1	10000028	电磁铁销	CLUTH LINK PIN	1
2	10000030	切刀电磁铁	THREAD TRIMMER SOLENOID	1
3	10003231	电磁铁销挡圈	E-RING	1
4	10000360	电磁铁连板	CLUTH LINK	1
5	10000359	驱动板螺钉	HIGH SCREW	1
6	10005634	驱动板挡圈	E-RING	1
7	10000367	驱动板组件	CLUTCH PLATE ASM	1
8	10000358	驱动板复位簧	CLUTCH RETURN SPRING	1
9	10000024	凸轮从动器架组件	BASE PLATE ASM	1
10	10003044	电磁铁固定螺钉	SCREW	3
11	10000077	螺钉	SCREW	2
12	10009735	螺钉	SCREW	2
13	10000587	曲柄复位挡板	DRIVING ARM STOPPER	1
14	10000026	驱动曲柄复位簧	KNIFE RETURN SPARING	1
15	10005634	驱动曲柄定位挡圈	E-RING	1
16	10005655	剪线驱动曲柄部件	KNIFE DRIVING ARM ASM	4
17	10000025	连接销	MOVING KNIFE LINK PIN	1
18	10012795	托板支承架挡圈	E-RING	2
19	10005636	托板支承架	ROLLER ARM SEAT	1
20	10010016	螺钉	SCREW	1
21	10005668	托板支架销	ROLLER FULCRUM SHAFT	1
22	10005676	托板复位簧	ROLLER RETURN SPRING	1
23	10005805	凸轮滚柱托板部件	ROLLER ARM ASM	1
24	10000024	连接销套	MOVING KNIFE LINK BASE	1
25	10000586	驱动连板	MOVING KNIFE LINK	1
26	10005637	连接销垫圈	WASHER	1
27	10005808	连接销螺母	NUT	1
28	10013038	动刀驱动架销挡圈	E-RING	1
29	10010725	螺母	NUT	1
30	10000031	螺钉	SCREW	1
31	10000023	动刀驱动架组件	FORK KNIFE ASM	1
32	10000035	夹紧板螺钉	SCREW	1
33	10000033	螺钉	SCREW	1
34	10025157	切刀组件	KNIFE UNIT	1
35	10000038	切刀板	SLIDING PLATE	1
36	10000438	夹紧板	FIXED PLATE	1
37	10000439	上切刀	FIXED KNIFE	1
38	10000027	下切刀组件	DRIVING KNIFE ASM	1
39	10000442	弹簧盖帽	LOCATING SPRING WASHER	1
40	10000440	前刀钩K	KNIFE STOPPER, RIGHT	1
41	10000025	刀钩弹簧	SPRING	1
42	10000443	后刀钩	KNIFE STOPPER, LEFT	1
43	10000037	切刀架	KNIFE BASE	1
44	10000032	螺钉	SCREW	2
45	10000438	螺钉	SCREW	2
46	10000036	螺钉垫片	WASHER	1
47	10000445	弹簧片组件	CLAMP PLATE ASM	1
48	10002398	毛毡	FELT	1
49	10000444	切刀弹簧片	CLAMP PLATE	1
50	10003070	螺钉弹簧垫片	SPRING WASHER	1
51	10000445	螺钉	SCREW	2

11.自动导送料

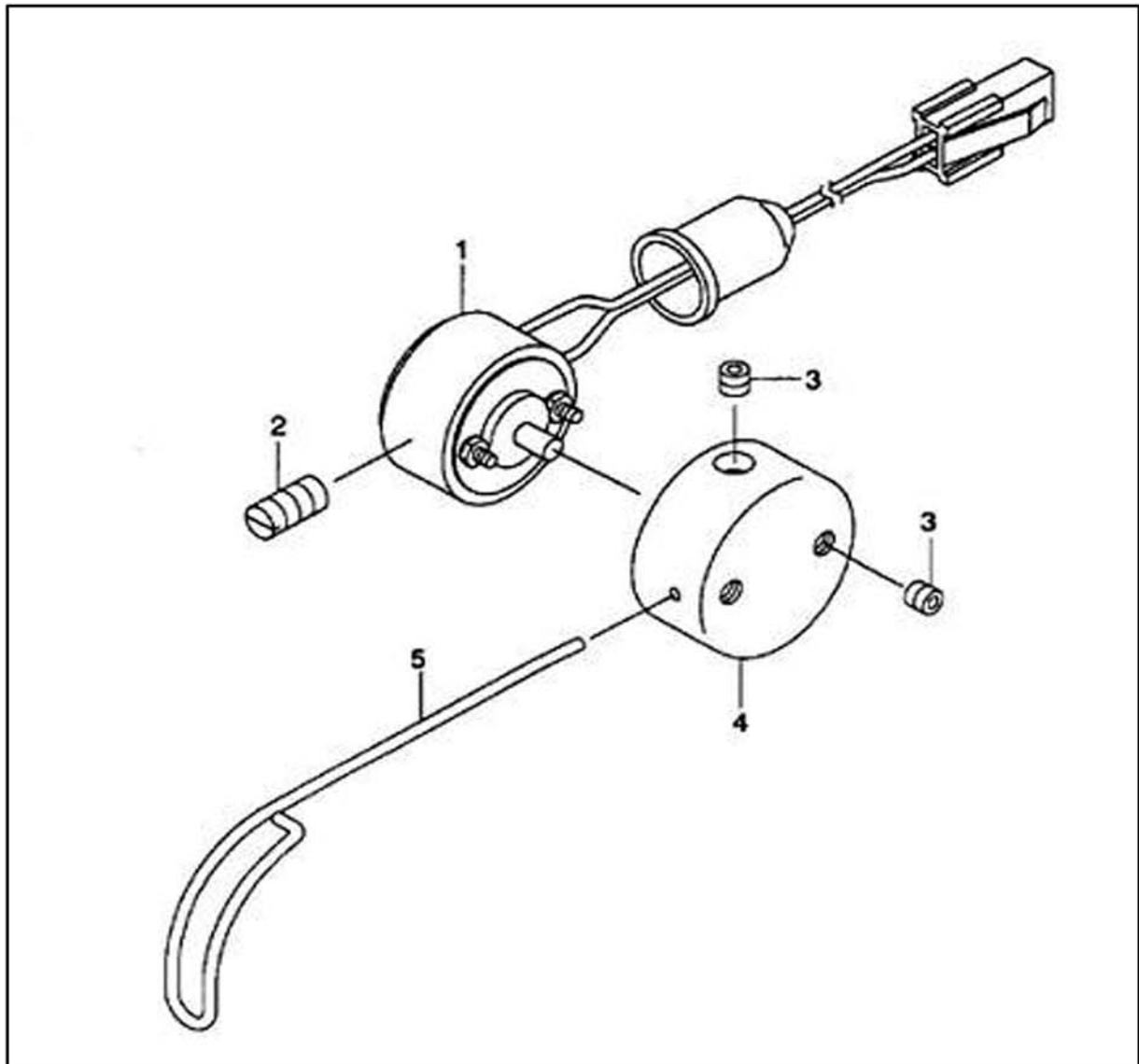
AUTOMATIC REVERSE FEED MECHANISM COMPONENTS



11. 自动倒送料部件				
AUTOMATIC REVERSE FEED MECHANISM COMPONENTS				
序号 NO.	图号 Part No.	描述	Description	数量
1	10000691	送料电机安装座	SEAT OF FEED MOTOR	1
2	10000654	螺钉	SCREW	1
3	10000655	送料电机连杆	FEED MOTOR LINK	1
4	10000693	传动轴连杆销	PIN	1
5	10000694	传动轴连杆	LINK	1
6	10000417	传动轴连杆螺钉垫片	WASHER	1
7	10000701	传动轴连杆螺钉	SCREW	1
8	10000640	送料连杆销	PIN	2
9	10000765	送料连杆组件	FEED LINK ASM	1
10	10000696	传感器感应片	SENSE ORGAN INDUCTIVE PIECE	1
11	10002411	传感器螺钉组件	SCREW	1
12	10000695	传感器安装板	SENSE ORGAN FIXING BOARD	1
13	10000707	传感器安装板螺钉组件	SCREW	1
14	10003734	步进电机感应器	PULSE MOTOR INDUCTOR	1
15	10003060	螺钉	SCREW	1
16	10009471	螺母	NUT	4
17	10000721	挡板	BAFFLE	1
18	10000092	线夹	TENSION	4
19	10000707	线夹螺钉组件	SCREW	4
20	10012162	送料连杆销螺钉	SCREW	2
21	10024500	步进电机	PULSE MOTOR	1
22	10000698	步进电机短螺钉	SCREW	1
23	10000698	步进电机长螺钉	SCREW	1
24	10000697	倒缝扳手复位弹簧勾	SPRING	1
25	10003025	螺母	NUT	1
26	10021598	安全开关组件	SAFETY SWITCH ASM.	1
27	10000124	开关驱动杆	SAFETY SWITCH ARM	1
28	10005855	弹簧	SAFETY SWITCH SPRING	1
29	10012612	保险开关支架轴	SAFETY SWITCH ARM SHAFT	1
30	10000147	开关架	SAFETY SWITCH BASE	1
31	10005877	螺母	NUT	1
32	10003052	螺钉	SCREW	2
33	10002499	安全开关线X34	SAFETY SWITCH CORD ASM.	1
34		电线自锁夹	CABLE BAND	1
35	10000148	安全开关螺钉	SCREW	2
36	10000762	螺钉	SCREW	3
37	10000700	后支脚	REAR	1
38	10000077	螺钉	SCREW	2

12. 挑线部件

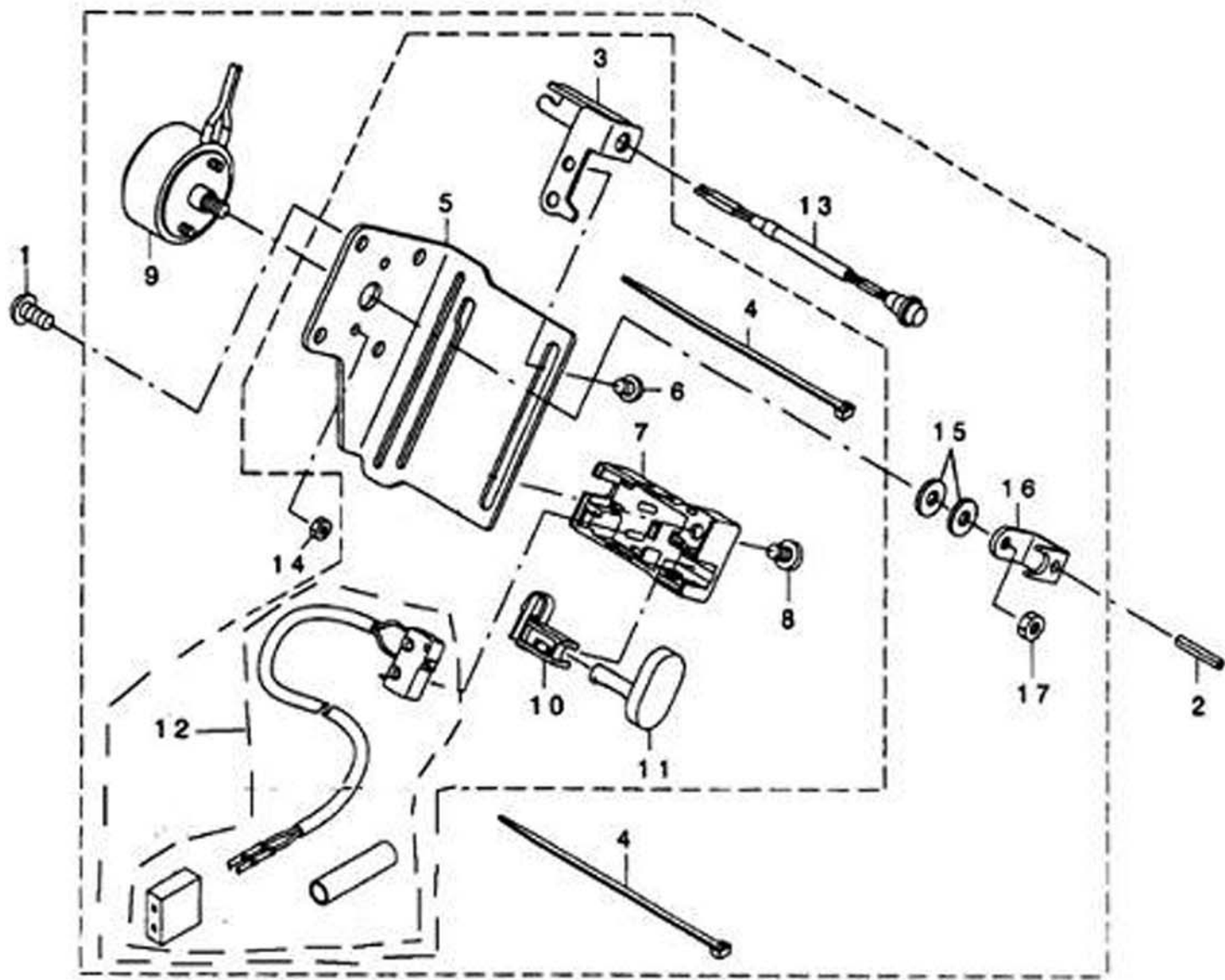
THREAD FEEDER COMPONENTS



12. 挑线部件				
THREAD FEEDER COMPONENTS				
序号 NO.	图号 Part No.	描述	Description	数量
1	10000496	挑线电磁铁	FEEDER SOLENOID ASM	1
2	10000320	挑线杆电磁铁紧固螺钉	SCREW	1
3	10013590	电磁铁罩紧固螺钉	SCREW	3
4	10000494	挑线电磁铁罩	FEEDER WIRE FITTING BASE	1
5	10000495	挑线杆	FEEDER WIRE	1

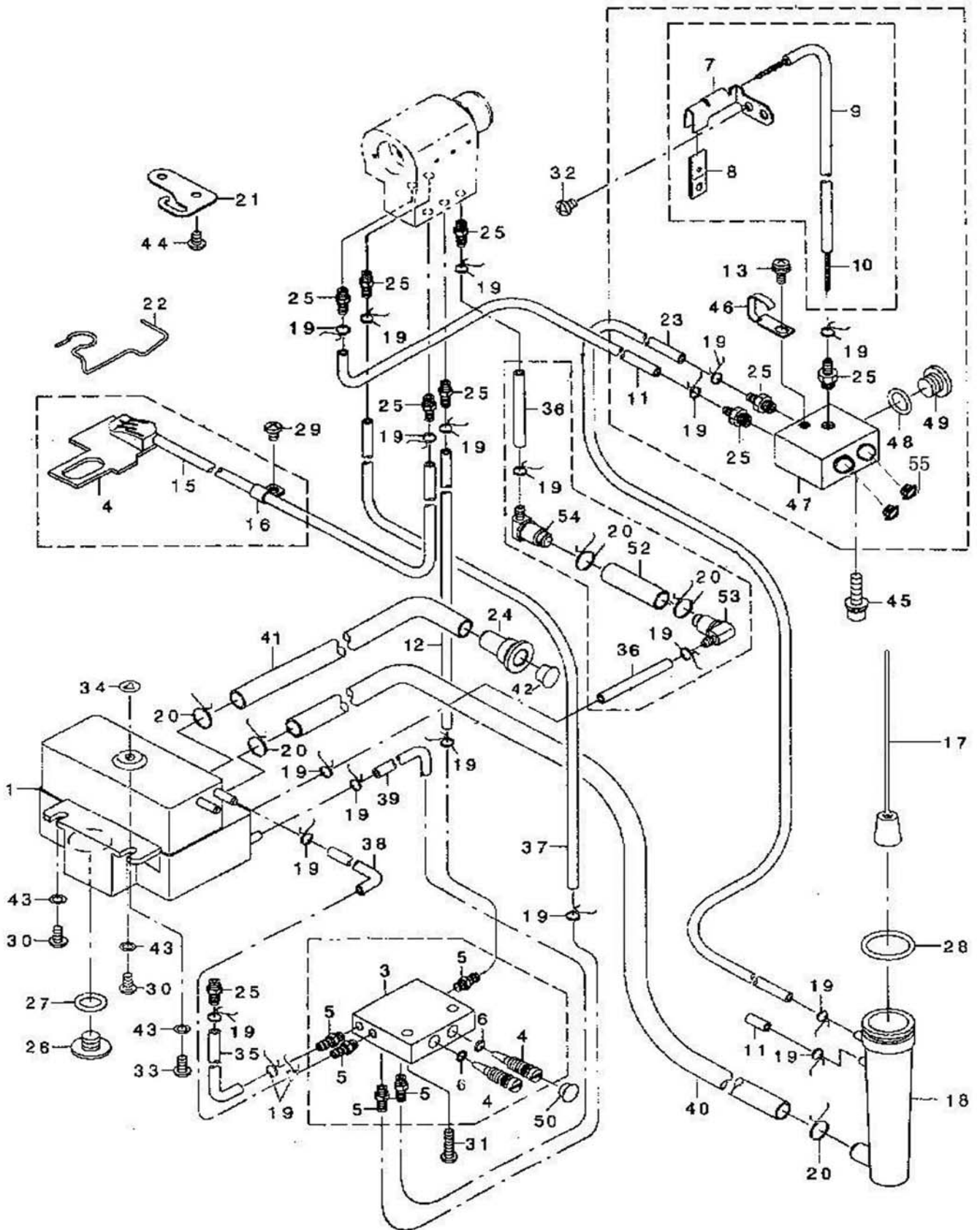
13. 松线及倒缝按钮部件

THREAD RELEASE SOLENOID COMPONENTS



13. 松线及倒缝按钮部件				
THREAD RELEASE SOLENOID COMPONENTS				
序号 NO.	图号 Part No.	描述	Description	数量
1	10001281	电磁铁固定板固紧螺钉	SCREW	4
2	10009324	销	SPRING PIN	1
3	10001271	指示灯固定架	MANUAL SWITCH BASE GUIDE	1
4		电线自锁夹	CABLE BAND	1
5	10000502	松线电磁铁固定板	MANUAL SWITCH BASE	1
6	10002400	指示灯固定架螺钉	SCREW	1
7	10000510	点动开关盒	REVERSE FEED SWITCH COVER	1
8	10002940	螺钉	SCREW	1
9	10000507	松线电磁铁	THREAD RELEASE SOLENOID COMPL	1
10	10000511	开关弹簧	REVERSE FEED SWITCH SUPPORT	1
11	10000597	按钮	REVERSE FEED SWITCH SHAFT	1
12	10002569	电器开关	REVERSE FEED CORD ASM	1
13	10000499	指示灯	SW LED CABLE A ASM	1
14	10003025	电磁铁小螺母	NUT	2
15	10000497	垫片	FRAME SIDE COVER GASKET	2
16	10000498	松线板	THREAD RELEASE PUSH PLATE	1
17	10009471	电磁铁大螺母	NUT	1

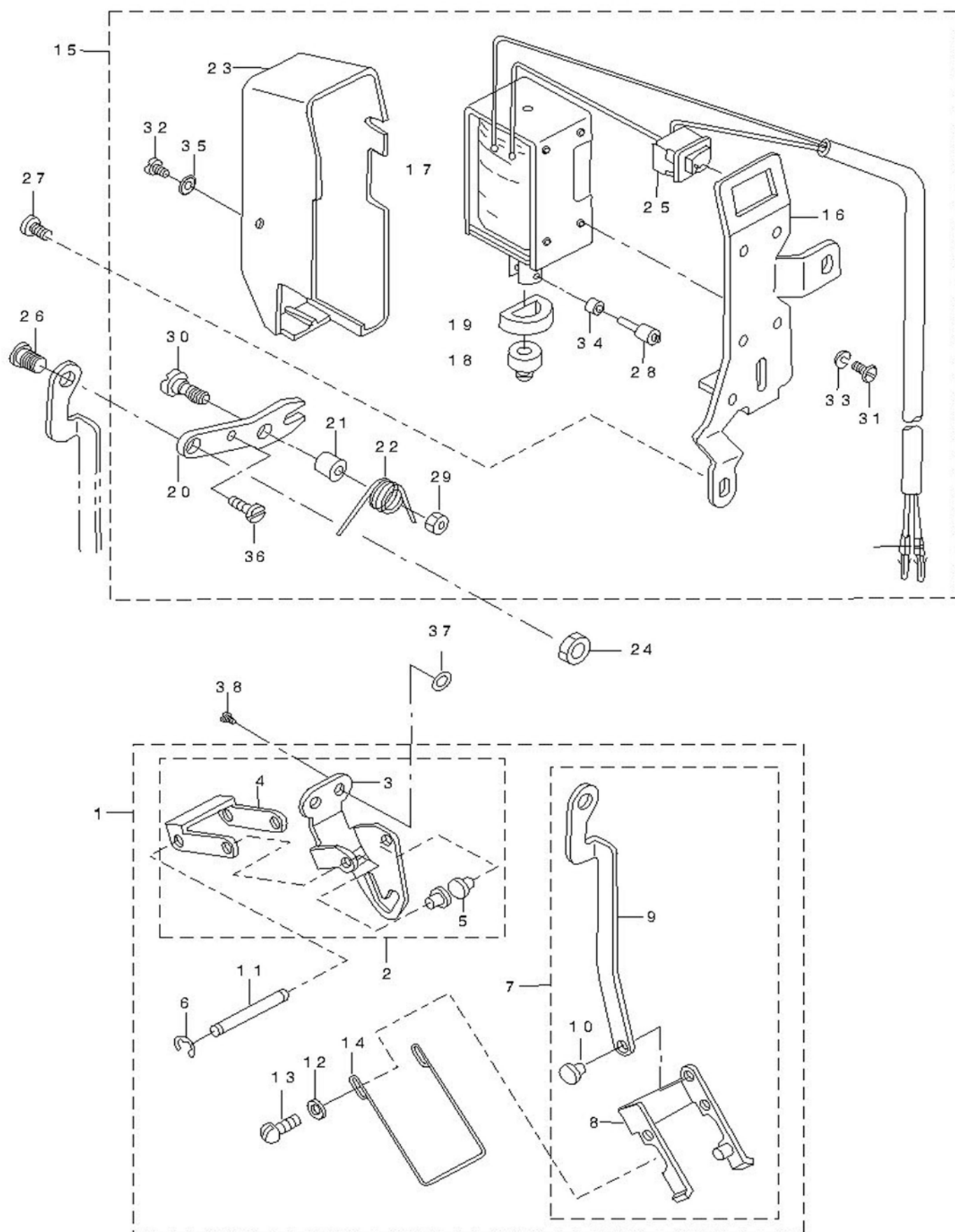
14. 油路部件
LUBRICATION COMPONENTS



14. 油路部件				
LUBRICATION COMPONENTS				
序号 NO.	图号 Part No.	描述	Description	数量
1	10000570	油盒	OIL TANK ASM.	1
2	20006610	油量调节阀组件	HOOK OIL REGULATING ASM.	1
3	10002401	油量调节阀	HOOK OIL REGULATING	1
4	10000566	油量调节杆	HOOK OIL REGULATING SCREW	2
5	10008779	油管接头	LUBRICATION CONNECTOR	6
6	10000567	油量调节阀O形圈	RUBBER RING	2
7	10000419	机头润滑油管油毡安装板	FACE LUBRICATION PRESSER	1
8	10000418	机头润滑油管油毡	BALANCE LUBRICATING	1
9	10007800	机头润滑油管	TUBE	1
10	10008068	机头润滑油线	OUL WICK	1
11	10007800	中转箱供油油管	TUBE	1
12	10007800	中转箱吸油管1	TUBE	1
13	10000422	油管夹螺钉	SCREW	1
14	10000571	回油管油毡	ONCE THROUGH OIL FELT	1
15	10007800	回油管	TUBE	1
16	10004476	回油管夹	HOLDER	1
17	10000569	油标组件	FLOATER ASM.	1
18	10000709	油杯	FLOATER CASE	1
19	10008781	小油管紧固簧	PIPE STOPPER A	20
20	10008785	大油管紧固簧	PIPE STOPPER B	3
21	10000630	油管定位板	LUBRICATION TANK PIPE GUIDE	1
22	10000420	毛毡压杆	ONCE THROUGH OIL FELT PRESSER	1
23	10007800	中转箱回油管	TUBE	1
24	10008780	加油杯	OIL INLE	1
25	10008779	油管接头	LUBRICATION CONNECTOR	8
26	10008783	油盒短螺钉	SCREW	2
27	10022793	油盒O形圈	RUBBER RING	1
28	10008777	油杯O形圈	RUBBER RING	1
29	10008778	机头润滑油管油毡安装板螺钉	SCREW	1
30	10000099	油合紧固螺钉	SCREW	2
31	10000347	油量调节阀组件螺钉	SCREW	2
32	10008778	回油管夹螺钉	SCREW	1
33	10009900	油合长螺钉	SCREW	1
34	10011135	垫圈	STOPPER	1
35	10007800	旋梭进油管	TUBE	1
36	10007800	吸油管	TUBE	2
37	10007800	旋梭供油管	TUBE	1
38	10007800	调节阀回油管	TUBE	1
39	10007800	中转箱吸油管2	TUBE	1
40	10007806	油杯大油管	TUBE B	1
41	10007806	总进油管	TUBE B	1
42	10000405	总进油管油塞	RUBBER PLUG	1
43	10000417	油泵紧固螺钉垫片	WASHER	2
44	10000098	油管定位板螺钉	SCREW	2
45	10000157	中转箱固定螺钉	SCREW	2
46	10000082	油管夹	LUBRICATING OIL WICK STOPPER	1

47	10000421	机头供油中转箱	OIL BOX	1
48	10000079	中转箱O形圈	RUBBER RING	1
49	10000423	螺钉	SCREW	1
50	10000091	调节阀油塞	RUBBER PLUG	1
51	10000091	油杯密封套	RUBBER PLUG	1
52	10007806	过滤网油管	TUBE	1
53	10000468	油管二接头	DISTRIBUTOR	1
54	10000471	油管二接头组件	DISTRIBUTOR ASM.	1
55	10000405	中转箱密封油封	OIL SEAL	2

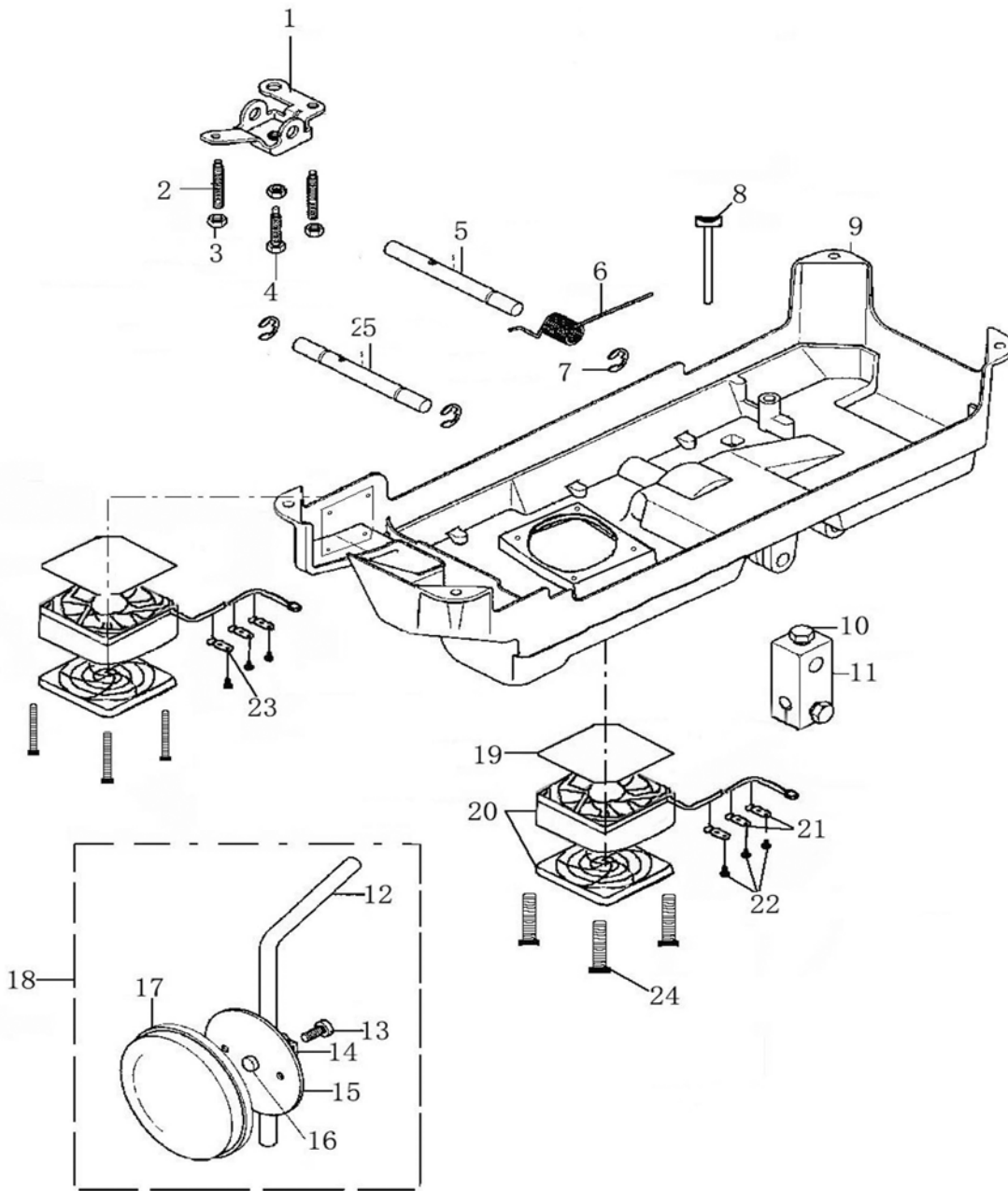
15. 拔线部件
WIPER MECHANISM COMPONENTS



15. 拨线部件				
WIPER MECHANISM COMPONENTS				
序号 NO.	图号 Part No.	描述	Description	数量
1	10000054	拨线器组件	WIPER ASM	1
2	10000533	拨线器架组件	WIPER BASE ASM	1
3	10000532	拨线器固定架	WIPER BASE	1
4	10000531	拨线小连板	WIPER LINK 1	1
5	10000045	驱动板连接销	PIN	2
6	10003248	挡圈	E-RING	2
7	10000530	驱动板组件	WIPER LINK COMPL	1
8	10000529	拨线架	WIPER LINK ASM. 2	1
9	10000634	驱动板	WIPPER LINK	1
10	10000045	驱动板连接销	PIN	1
11	10000050	拨线杆架连接销	WIPER LINK SHAFT	1
12	10000051	拨线杆垫片	WASHER	2
13	10000052	拨线杆螺钉	SCREW	2
14	10000053	拨线杆	WIPER	1
15	10000049	拨线电磁铁组件	WIPER SOLENOID ASM	1
16	10000044	拨线电磁铁固定架	WIPER BASE	1
17	10000046	拨线电磁铁	WIPER SOLENOID	1
18	10012488	铁芯复位垫	WIPER RUBBER A	1
19	10005739	铁芯橡皮垫	WIPER RUBBER B	1
20	10000047	拨线传动板	WIPER LINK	1
21	10005769	轴位螺钉定位套	WIPER HINGE SCREW COLLAR	1
22	10005770	传动板复位簧	WIPER SPRING	1
23	10005724	拨线器罩	WIPER COVER	1
24	10000100	驱动板螺钉螺母	NUT	1
25	10000046	拨线器开关	POWER SWITCH	1
26	10000042	驱动板轴位螺钉	HINGE SCREW	1
27	10000098	拨线电磁铁架螺钉	SCREW	2
28	10005719	铁芯传动销	WIPER SOLENOID PIN	1
29	10005735	传动板轴位螺钉螺母	NUT	1
30	10000048	传动板轴位螺钉	HINGE SCREW	1
31	10003036	拨线电磁铁安装螺钉	SCREW	4
32	10003036	拨线器罩螺钉	SCREW	1
33	10003082	安装螺钉垫圈	SPRING WASHER	4
34	10005769	传动销滚柱	WIPER LINK COLLAR	1
35	10002998	拨线器罩螺钉垫圈	WASHER	1
36	10008458	弹簧复位螺钉	SCREW	1
37	10000043	拨线器固定螺钉垫片	WASHER	2
38	10000042	拨线器固定螺钉	SCREW	2

16.膝提部件

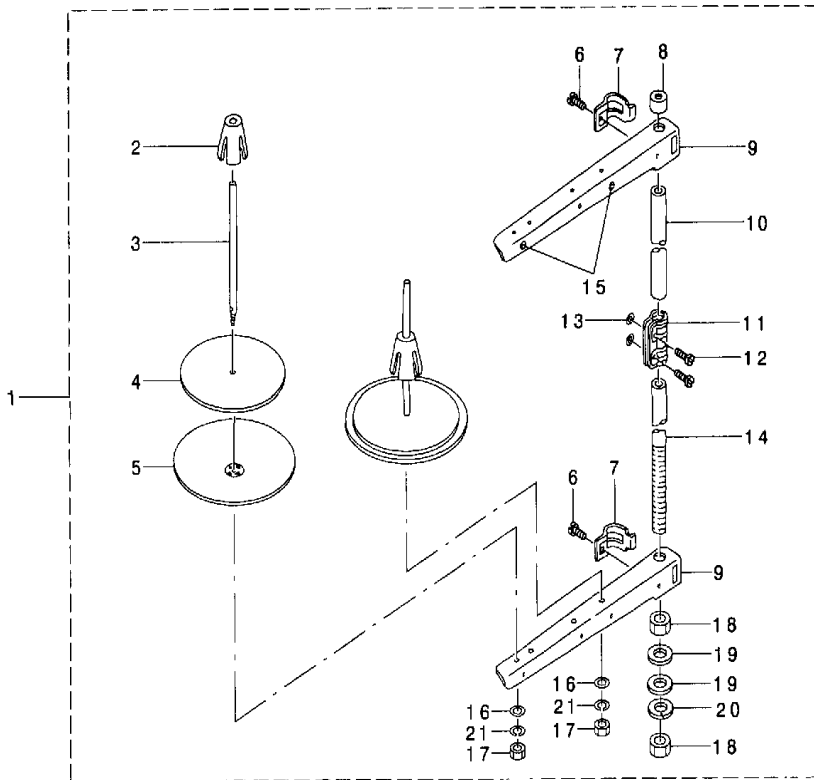
UNDER COVER COMPONENTS



16. 底座部件				
UNDER COVER COMPONENTS				
序号 NO.	图号 Part No.	描述	Description	数量
1	10008383	膝控限位架	BRACKET	1
2	10003895	双向曲柄限位调节螺柱	SCREW	2
3	10003890	双向曲柄限位调节螺母	NUT	2
4	10003898	双向曲柄定位螺钉	SCREW	1
5	10008466	抬压脚轴	KNEE PRESS ROD	1
6	10012677	复位弹簧	SPRING	1
7	10002559	挡圈	E-RING	1
8	10012631	抬压脚顶杆	KNEE LIFTER PRESSER ROD	1
9	10000011	油盘	UNDER COVER ASM	1
10	10002613	螺栓	SCREW	2
11	10003896	操作杆接头	BRACKET	1
12	10003901	操纵杆	KNEE PAD UPRIGHT SHAFT	1
13	10003894	接头螺钉	SCREW	1
14	10003897	操纵杆接头	KNEE PAD PLATE SUPPORT	1
15	10003891	操纵板	KNEE PAD PLATE ASM	1
16	10003900	操纵杆垫	KNEE PAD PLATE RUBBER	1
17	10004223	操纵杆软垫	KNEE PAD PLATE COVER	1
18	10009985	操纵杆部件	KNEE PAD PLATE ASM	1
19	10000010	风扇铁丝网	WIRE OF FAN	2
20	10000012	风扇组件	FAN ASM	2
21	10008228	SL-12N夹头	COLLET	3
22	10005309	螺钉	SCREW	3
23	10008228	SN-3A夹头	COLLET	3
24	10003416	螺钉	SCREW	8

17. THREAD STAND COMPONENTS

线架部件



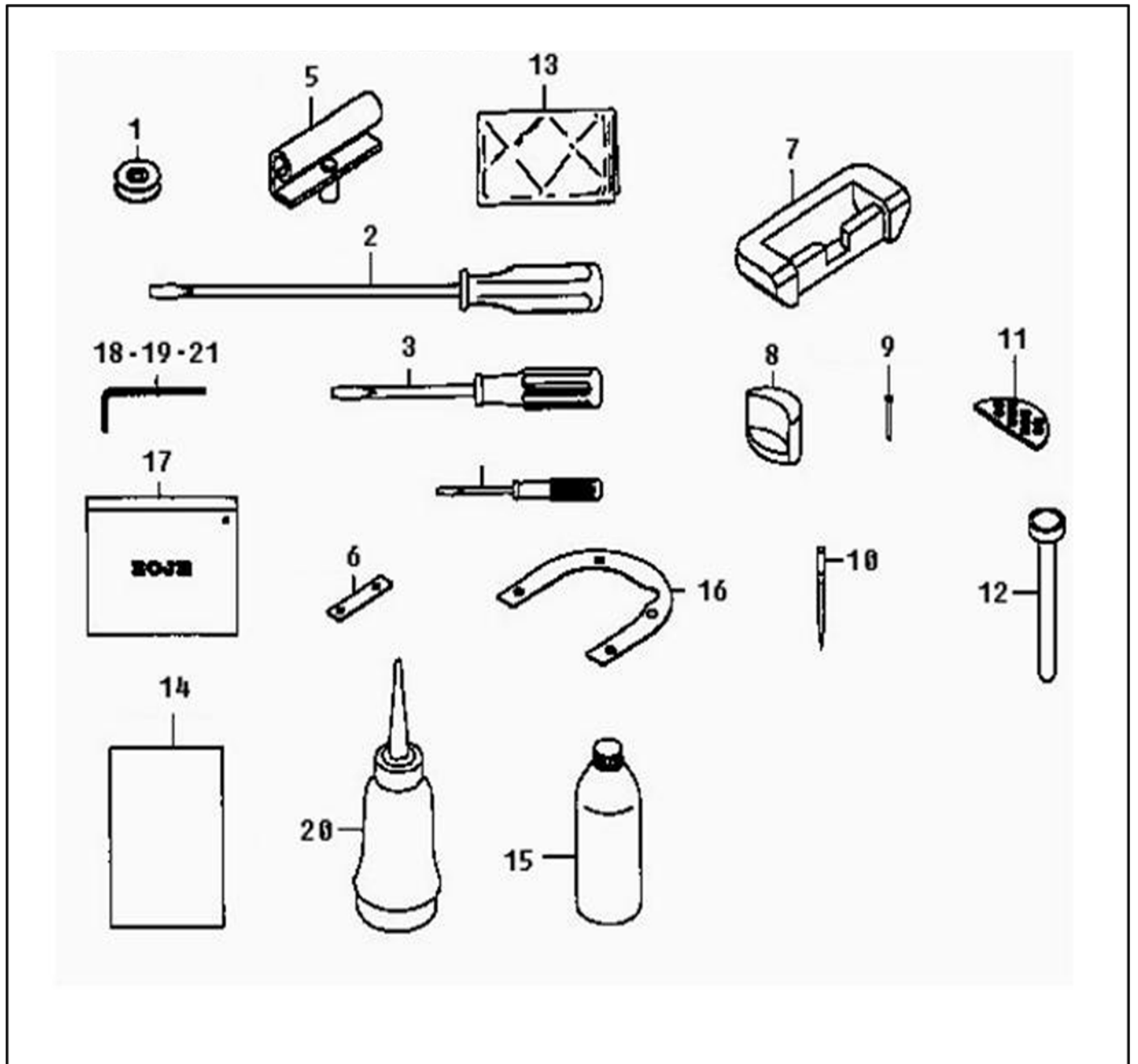
18. 附件

ACCESSORIES PART COMPONENTS

序号 NO.	图号 Part No.	描述	Description	数量
1	10024216	二线架	THREAD STAND ASM	1

18.附件

ACCESSOR PART COMPONENTS



18. 附件				
ACCESSORIES PART COMPONENTS				
序号 NO.	图号 Part No.	描述	Description	数量
1	10010377	梭心	BOBBINS	1
2	10010994	大螺丝刀	SCREW DRIVER. LARGE	1
3	10010995	中螺丝刀	SCREW DRIVER, MIDDLE	1
4	10013185	小螺丝刀	SCREW DRIVER, SMALL	1
5	10004466	机头连接钩部件	HINGE COMPL	3
6	10001242	垫板	SPACER	1
7	10006286	机头连接钩座	RUBBER CUSHION	3
8	10013113	油盘支座	FRAME BUBBER CUSHION	2
9	10003889	油盘座钉	NAIL	8
10	10003366	机针	NEEDLE	1
11	10013101	油盘座垫	WASHER	2
12	10012631	抬压脚顶杆	KNEE LIFTER PRESSER ROD	1
13	10004971	机头塑料膜	VINYL COVER	1
14		合格证部件	EC PRODUCTION DECLARATION	
15	20002272	600油壶	DEFRIX OIL NO. 1	1
16	10002512	推板垫圈	SPACER	1
17	10001177	机头罩	ACCESSORIE BAG	1
18	10009683	内六角扳手	WRENCH	1
19	10009686	内六角扳手	WRENCH	1
20	10013294	小油壶	OILER ASM	1
21	10009685	内六角扳手	HEXAGONAL WRENCH KEY	3